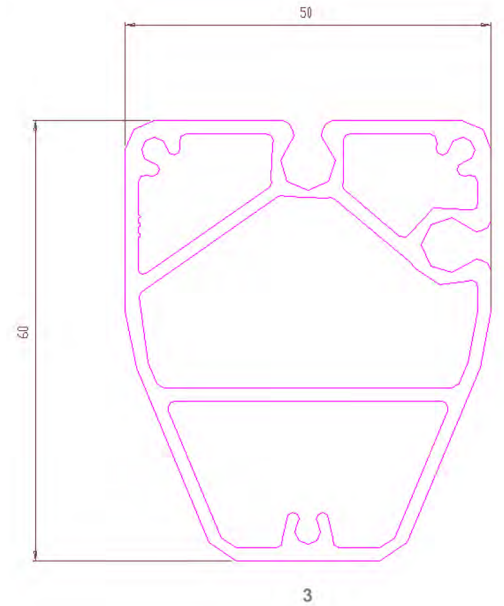
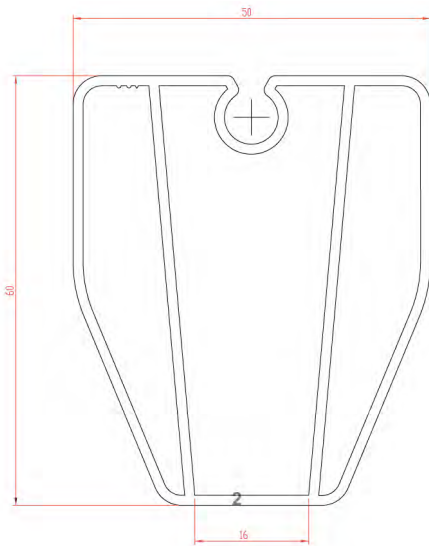
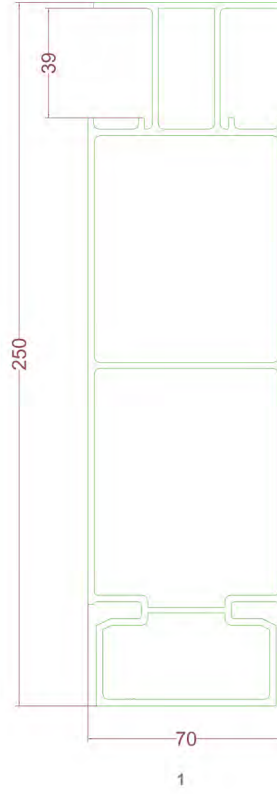


**Lux Pergola Sistemi**  
**Lux Pergola System**  
Taşıyıcı Profiller  
Carrier Profiles



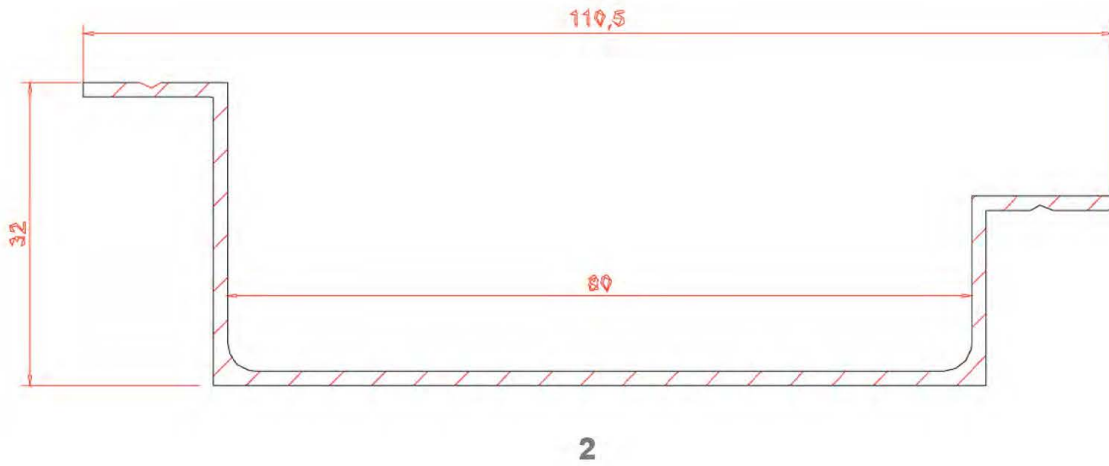
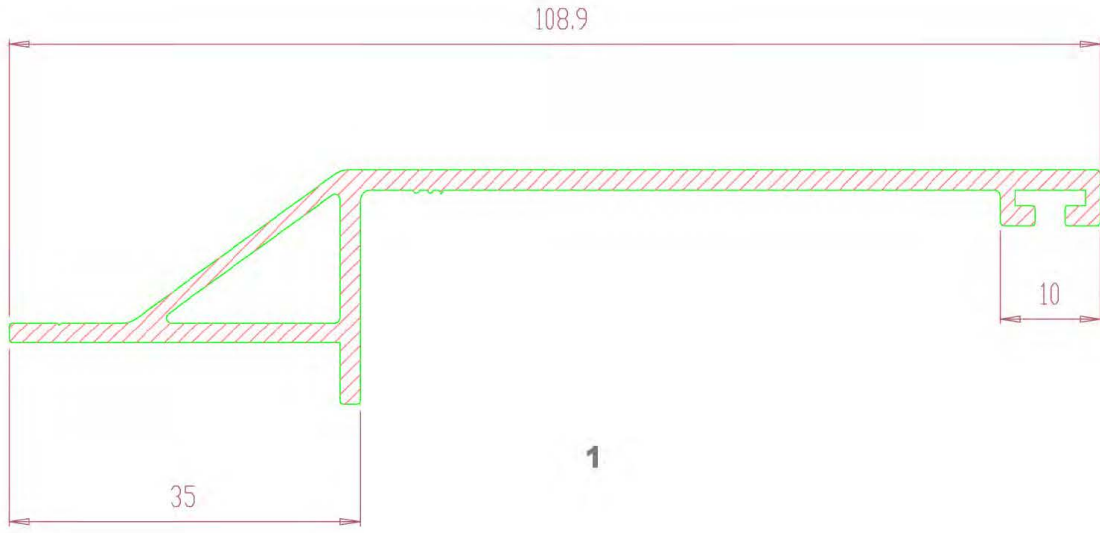
NO	KOD CODE	AGIRLIK WEIGHT	ÜRÜN ADI PRODUCT NAME
1	12001	5212 gr / mt.	ANA PROFİL MAIN PROFILE
2	12008	1229 gr / mt.	TASIYICI PROFİLİ
3	12002	1623 gr /mt.	TAŞIYICI PROFİL (ESKİ)



**Lux Pergola Sistemi**  
**Lux Pergola System**  
Profiller  
Profiles



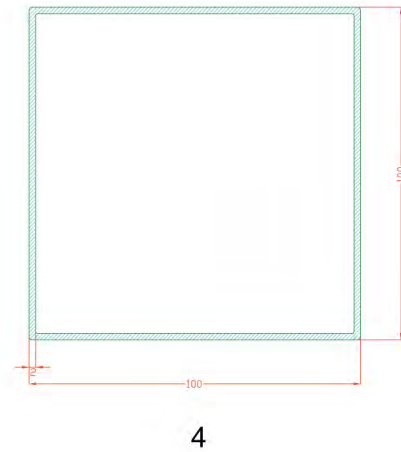
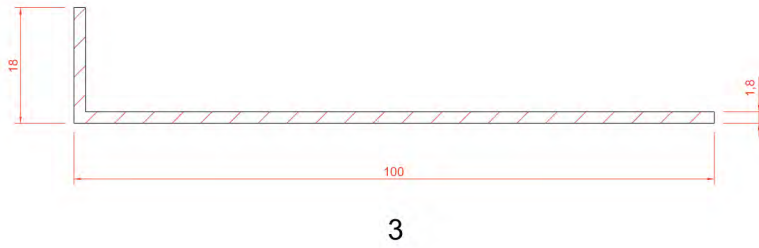
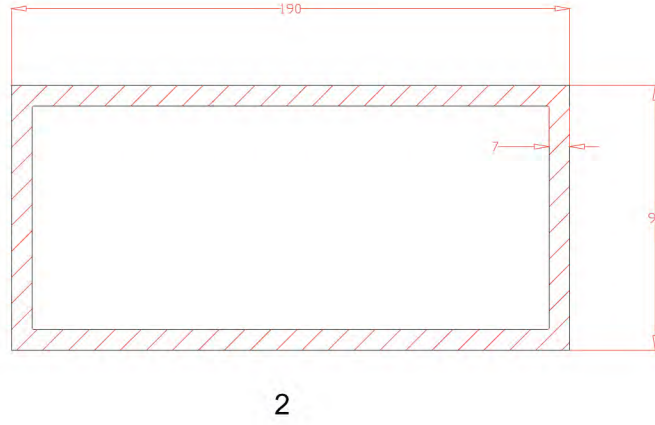
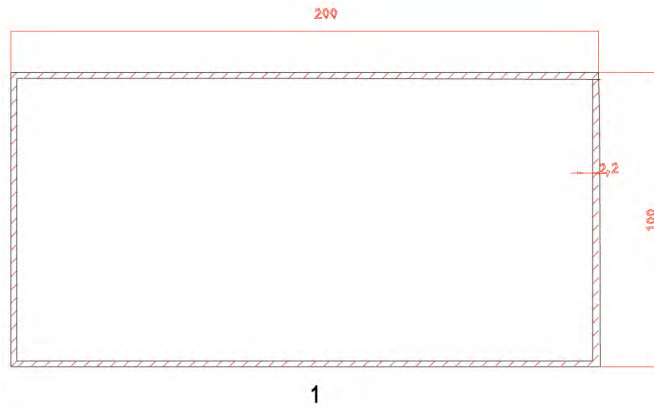
NO	KOD CODE	AGIRLIK WEIGHT	ÜRÜN ADI PRODUCT NAME
1	12003 (yeni)	855 gr /mt.	YAĞMURLUK PROFİLİ Drain Profile
2	4466	659 gr /mt.	KASA ALTI DERE Lower Drainage Case



# Lux Pergola Sistemi Lux Pergola System Ayak Profilleri Column Profiles



1	3191	3528 gr / mt	100 * 200 TASIYICI 100 * 200 CARRIERS
2	4223	10092 gr /mt	90 * 190 TASIYICI 90*190 CARRIERS
3	10006	567 gr /mt	18 * 100 KÖSEBENT 18*100 BRACKET
4	10011	2123 gr/mt	100 * 100 TASIYICI 100 * 100 CARRIERS



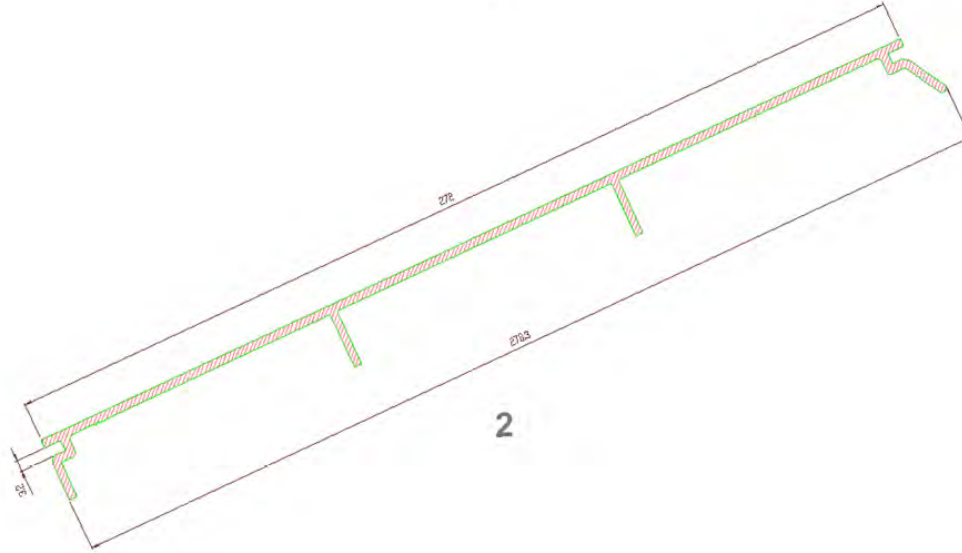
**Lux Pergola Sistemi**  
**Lux Pergola System**  
Oluk Profilleri  
Drainage Profiles



NO	CODE	WEIGHT	PRODUCT NAME
1	12005	2108 gr / m	Lower Drainage Case
2	12007	2343 gr / m	Front Drainage Case
3	12006	1509 gr / m	Upper Drainage Case



1



2



3

# Lux Pergola Sistemi

## Lux Pergola System

### Aksesuarlar

### Accessories



NO	KOD CODE	ÜRÜN ADI PRODUCT NAME
1	12013	BRANDA CANVAS
2	10016	ALÜMİNYUM - ALÜMİNYUM BAĞLANTISI ALUMINIUM - ALUMINIUM CONNECTION
3	12016	MOTOR BRAKETİ
4	12023	SABİTLEME SACI
5	12019	ORTA TEKER
6	12020	TRİGER AVARE TEKER
7	12022	SEFFAF FİTİL
8	12026	ON CİFTLİ TEKER
9	12024	ON GERGİLİ CİFTLİ MAKARA DONUS
10	12025	ARKA CİFTLİ TEKER
11	10051	10X10 SAÇ FLANŞI
12	10052	10X10 YER ANKRAJİ
13	7007	BORU KARSISI BİLYALI PIPE COUNTERPART BEARING
14	7021	BORU ESNEME ENGELLEYİCİ
15	7023	BORU ÇIKMA APARATI
16	7001	MOTOR TAKIMI MOTOR KIT
17	7003	MOTOR BORUSU MOTOR PIPE
18	12031	TAŞIYICI KİLİT FİTİL
19	7006	BORU BASI PIPE HEAD
20	12014	BRANDA BİRLEŞTİRİCİ ( 12 MM)
21	7201	TRİGER DİŞLİ KASNAK
22	7033	ÇELİK TELLİ POLİÜRETAN KAYIS STEEL - WIRE POLYURETHANE BELT
23		
24	7024	YÜZEY TEMİZLEYİCİ
25	10043	KÖSE BAĞLANTI KAPAGI CORNER CONNECTION COVER
26	10044	100 x 100 KAPAK 100 x 100 COVER
27	5014	15mm KİL FİTİL



1



2



3



4



5



6



7



8



9



10



11



12



13



14



15



16



17



18



19



20



21



22



23



24



25



26

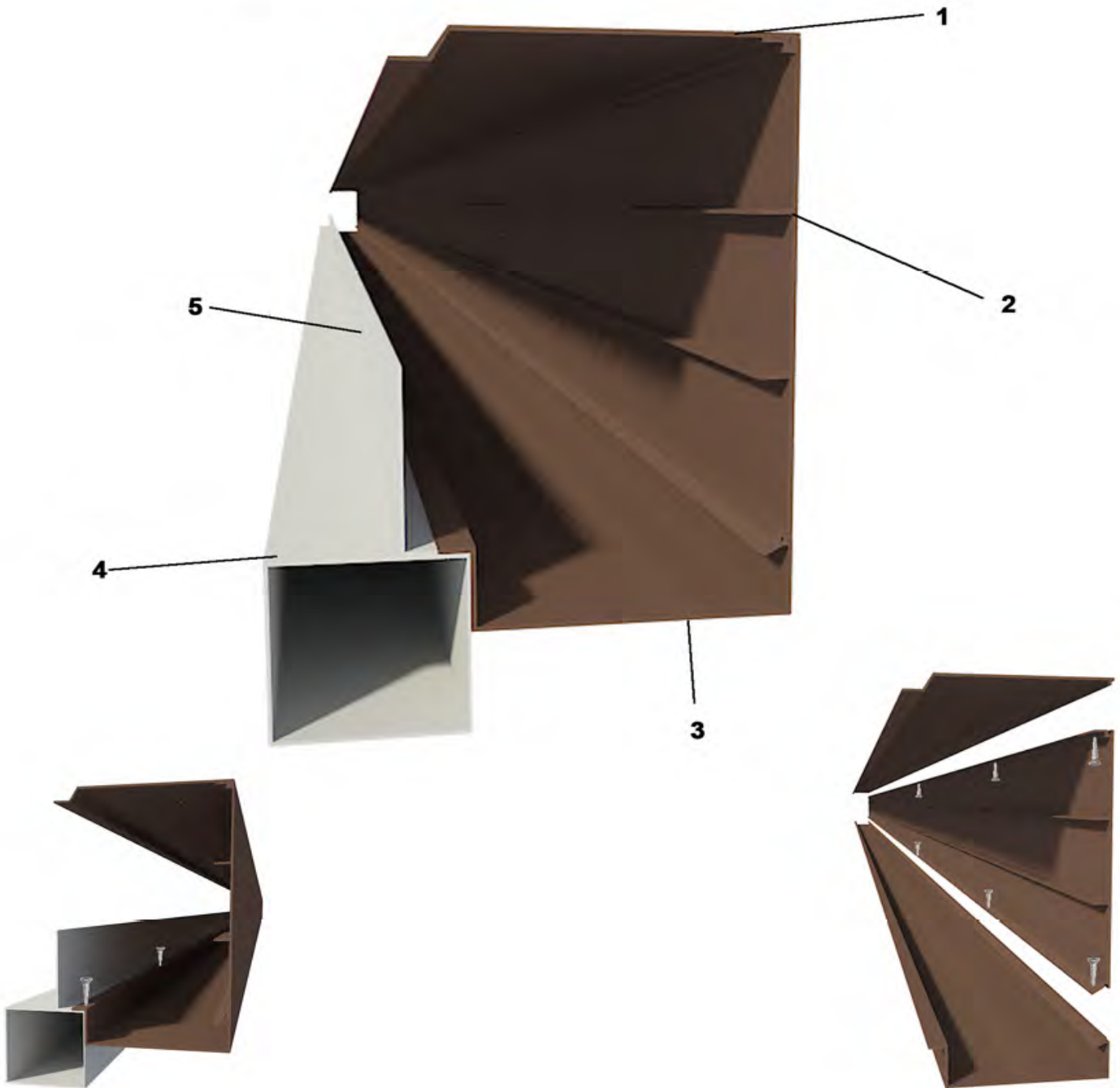


27

**Lux Pergola Sistemi**  
**Lux Pergola System**  
Oluk Profilleri  
Drainage Profiles



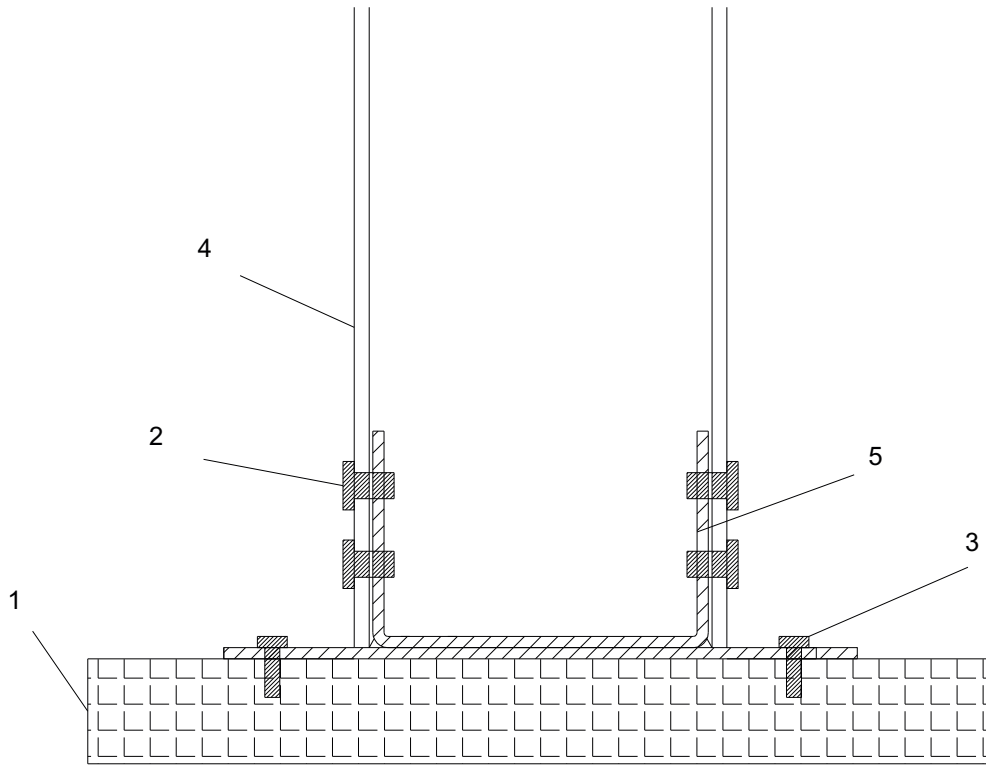
NO	CODE	WEIGHT	PRODUCT NAME
1	12006	1509 gr/m	Upper Drainage Case
2	12007	2343 gr/m	Front Drainage Case
3	12005	2108 gr/m	Lower Drainage Case
4	10011	2123 gr/m	18x100 Bracket
5	10006	567 gr/m	100x100 Cariers



**Lux Pergola Sistemi**  
**Lux Pergola System**  
Bağlantı Detayları  
Connection Details



NO	CODE	WEIGHT	PRODUCT NAME
1	-	-	CONCRETE BEAM
2	-	-	SCREWS
3	-	-	STEEL PEG
4	10005	4163 gr / mt.	100x100x4 mm ALUMINIUM
5	10039	-	FLOOR ANCHOR





# Lux Pergola Sistemi

## Lux Pergola System

### Bağlantı Detayları

### Connection Details



NO	ÜRÜN ADI PRODUCT NAME)	AGIRLIK ( WEIGHT)	KOD ( CODE)
1	Branda Bağlantı Detayı Ön Bölüm Branda Connection Detail Front Side	--	--
2	Branda Bağlantı Detayı Arka Bölüm Branda Connection Detail Back Side	--	--

