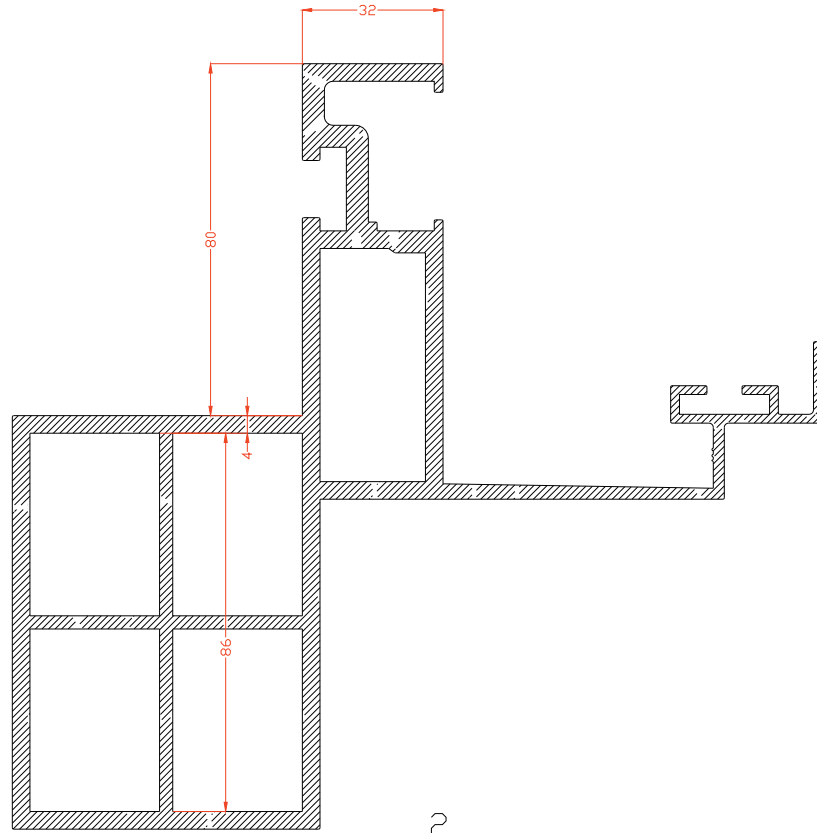
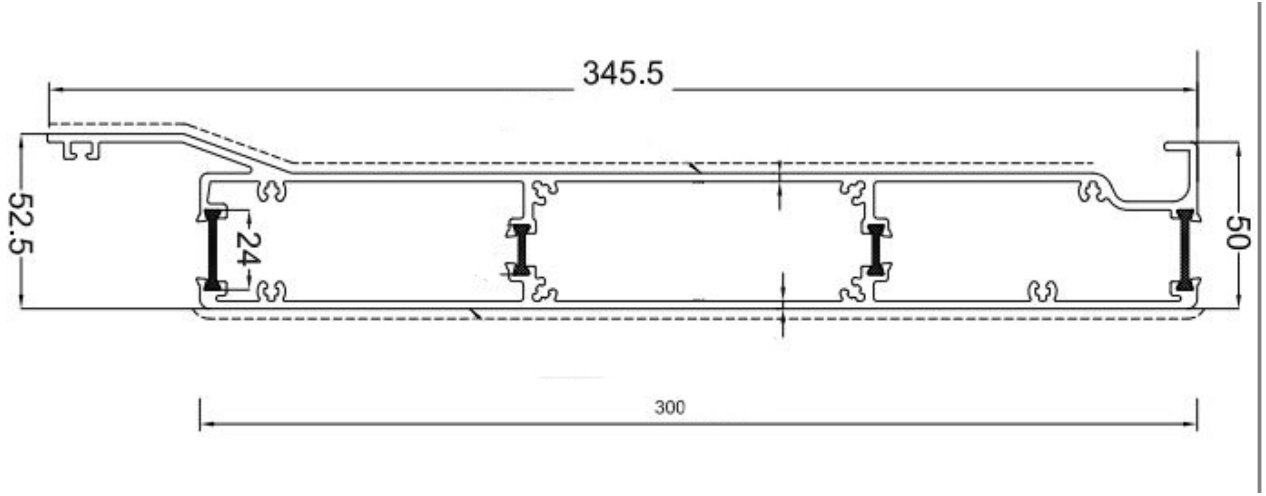
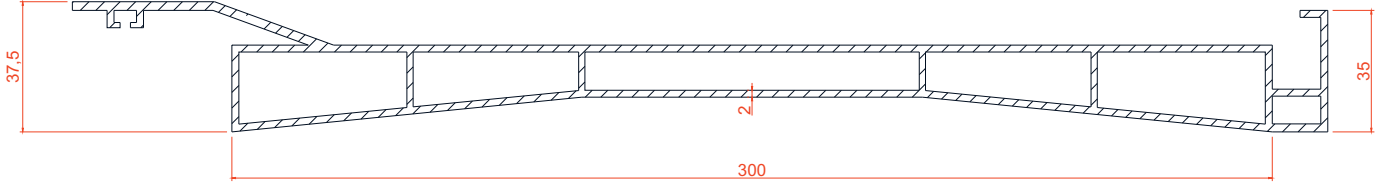


# Aluminyum Rolling Roof Sistemi Aluminum Rolling Roof System

Panel Profilleri  
Panel Profiles



NO	CODE	WEIGHT	PRODUCT NAME
1	10001	4672 gr / mt.	PANEL
2	10009	8297 gr / mt.	MAIN PROFILE

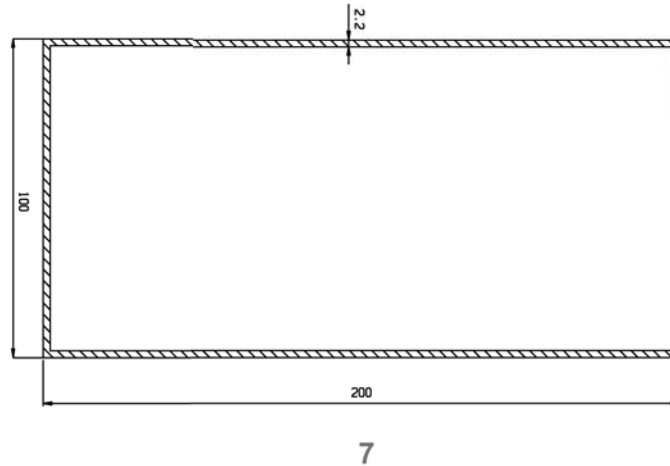
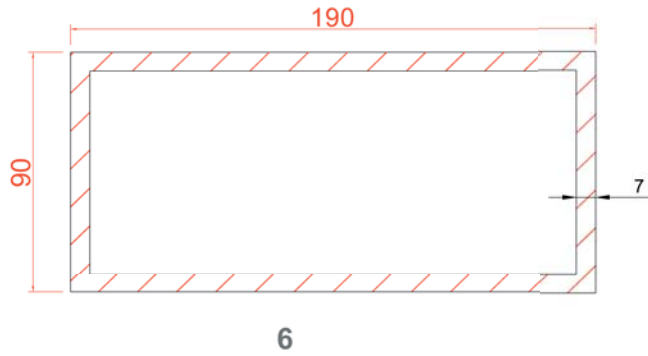
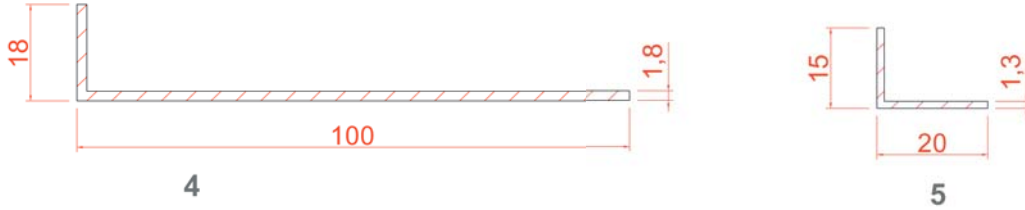
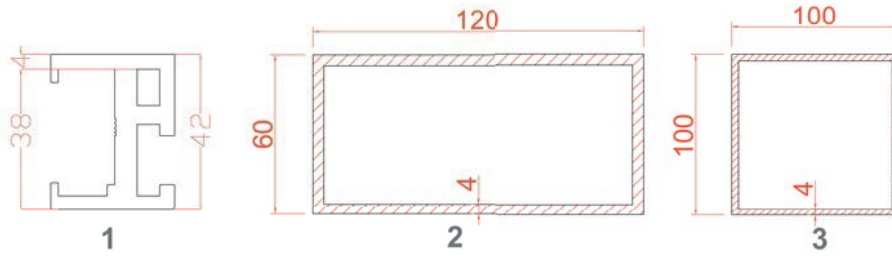


# Aluminyum Rolling Roof Sistemi Aluminum Rolling Roof System

Ray ve Taşıyıcı Profilleri  
Rail and Carrier Profiles



NO	KOD CODE	AGIRLIK WEIGHT	ÜRÜN ADI PRODUCT NAME
1	10010	1628 gr / mt.	ÜST RAY TOP RAIL
2	10004	3729 gr / mt.	60x120 TAŞIYICI 60x120 CARIERS
3	10005	4163 gr / mt.	100x100 TAŞIYICI 100x100 CARIERS
4	10006	567 gr / mt.	18x100 KÖSEBENT 18x100 BRACKET
5	10008	118 gr / mt.	15x20 KÖSEBENT 15x20 BRACKET
6	4223	10092 gr / mt.	90 x 190 TAŞIYICI (7mm) 90 x 190 CARIERS
7	3191	3733 gr / mt.	100x200 KUTU 100x200 BOX



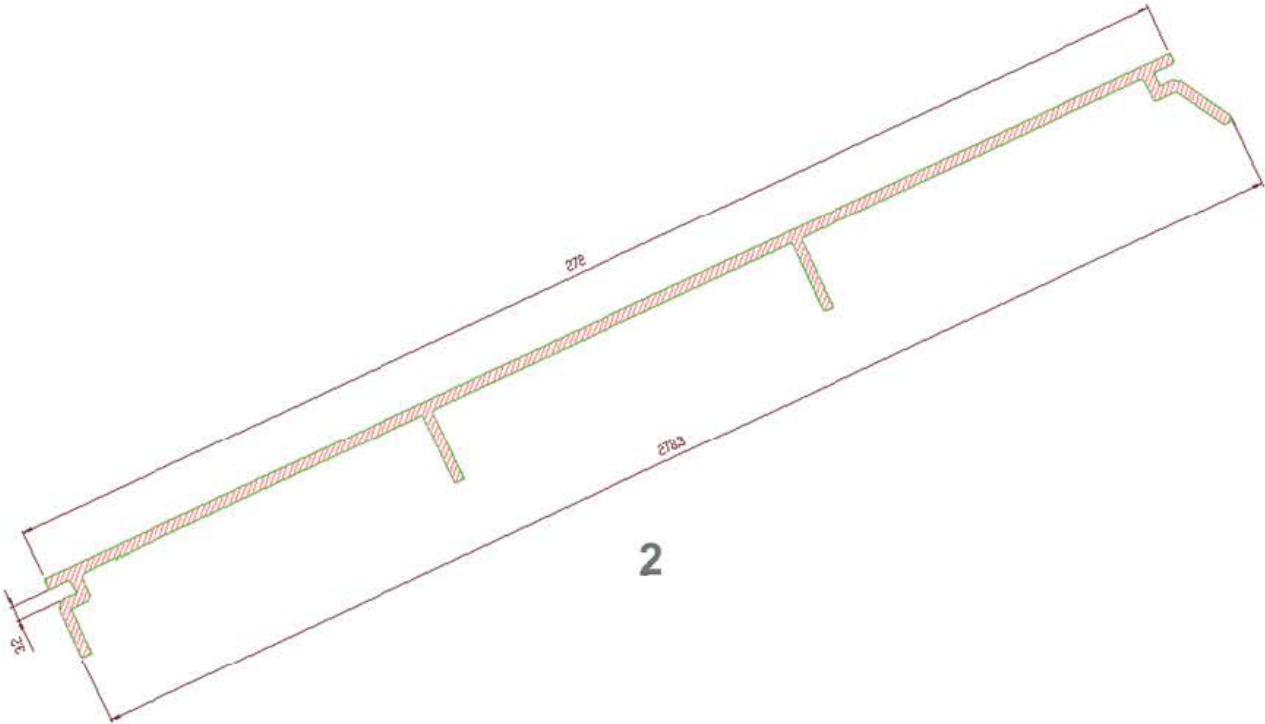
# Aluminyum Rolling Roof Sistemi Aluminum Rolling Roof System Oluk Profilleri Drainage Profiles



NO	KOD CODE	AGIRLIK WEIGHT	ÜRÜN ADI PRODUCT NAME
1	12005	2108 gr / m	Bottom Drainage
2	12007	2343 gr / m	Front Drainage



1



2

# Aluminyum Rolling Roof Sistemi

## Aluminum Rolling Roof System

### Aksesuarlar

### Accessories



NO	KOD CODE	ÜRÜN ADI PRODUCT NAME
1	10015	DUVAR - ALÜMİNYUM BAĞLANTISI WALL - ALUMINIUM CONNECTION
2	10016	ALÜMİNYUM - ALÜMİNYUM BAĞLANTISI ALUMINIUM - ALUMINIUM CONNECTION
3	10050	MOTOR PLATFORMU DUVAR BAĞLANTISI 30 x 50
4	10018	PANEL PVC ORTA KAPAK PANEL PVC MIDDLE COVER
5	10019	PANEL PVC ARKA KAPAK PANEL PVC BACK COVER
6	10020	PANEL PVC ÖN KAPAK PANEL PVC FRONT COVER
7	10023	KALDIRMA KOLU LIFTING HANDLE
8	10024	ARKA KALDIRMA KOLU BACK LIFTING HANDLE
9	10025	PANEL SABITLEME PANEL FIXING
10	7201	TRİGER DIŞLI
11	10027	KIL FIRÇA HAIR BRUSH
12	10028	EPDM CONTA EPDM GASKET
13	10029	10x10 SAC FLANS 10x10 FLANGE
14	10030	BÜYÜK MOTOR LARGE MOTOR
15	10032	BÜYÜK BORU LARGE PIPE
16	10033	SWİTCH TAKIMI SWITCH KIT
17	10035	BÜYÜK BORU BASI LARGE PIPE HEAD
18	10036	BÜYÜK BORU KARSISI COUNTERPART OF LARGE PIPE
19	10037	PANEL SÜRÜCÜ TEKERİ PANEL DRIVING WHEEL
20	10039	10x10 YER ANKRAJI 10x10 FLOOR CONNECTION
21	10049	90 x 100 YER ANKRAJI
22	10034	MOTOR BAĞLAMA APARATI MOTOR CONNECTION APPARATUS
23	10054	ÇİFT MOTOR BAĞLAMA APARATI
24	10055	ÇİFT MOTOR VERİCİ + KUMANDASI
25	7001	MOTOR TAKIMI MOTOR KIT
26	7003	MOTOR BORUSU MOTOR PIPE
27	7021	BORU ESNEME ENGELLEYİCİ
28	7006	BORU BASI PIPE HEAD
29	7007	BORU KARSISI BİLYALI PIPE COUNTERPART BEARING
30	7023	BORU ÇIKMA APARATI
31	7033	ÇELİK TELLİ POLİÜRETAN KAYIS STEEL - WIRE POLYURETHANE BELT
32	10043	KÖŞE BAĞLANTI KAPAGI CORNER CONNECTION COVER
33	10044	100 x 100 KAPAK 100 x 100 COVER
34	10047	MOTOR PLATFORMU DUVAR BAĞLANTISI MOTOR WALL CONNECTION
35	10048	KORUK ACORDION BELLOWS
36	5014	15 mm EFE KIL FİTİL



1



2



3



4



5



6



7



8



9



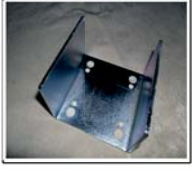
10



11



12



13



14



15



16



17



18



19



20



21



22



23



24



25



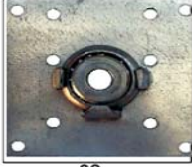
26



27



28



29



30



31



32



33



34



35



36

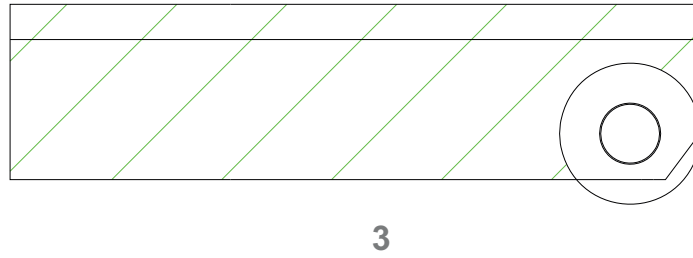
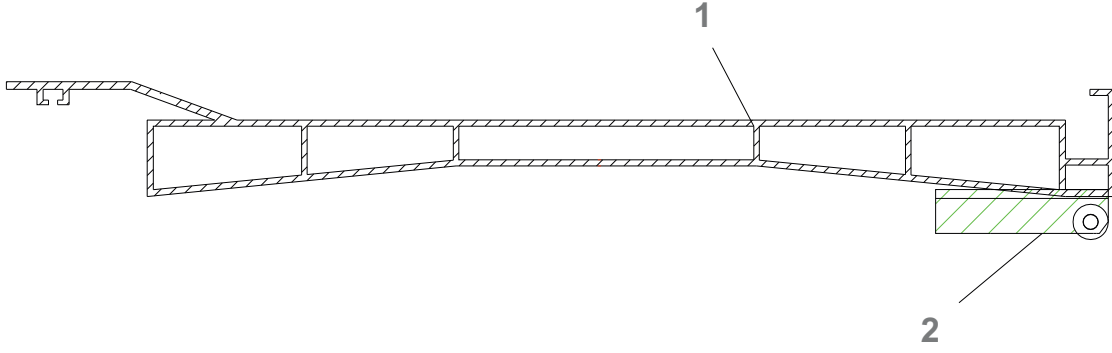
# Aluminyum Rolling Roof Sistemi

## Aluminum Rolling Roof System

Sistem Detayları  
System Details



NO	CODE	WEIGHT	PRODUCT NAME
1	10001	4672 gr / mt.	PANEL
2	10037	-	PANEL DRIVING WHEEL
3	-	-	Panel Driving Wheel



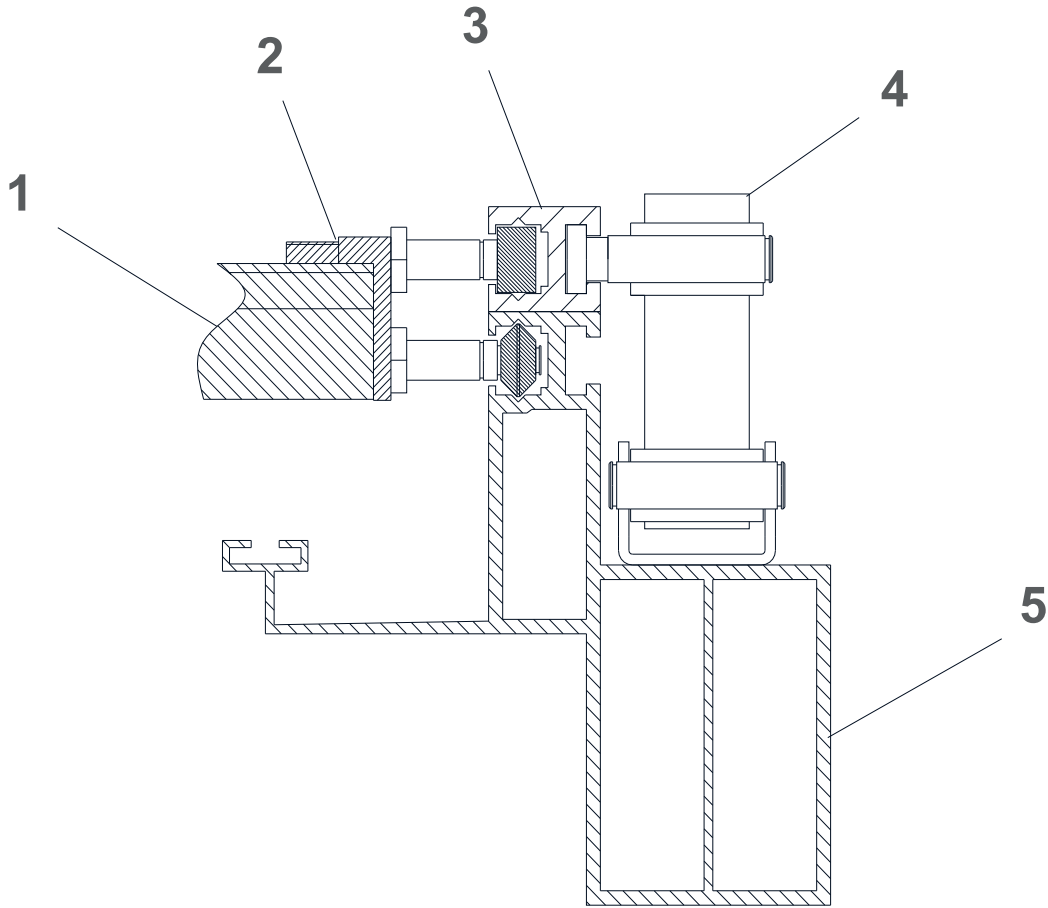
# Aluminyum Rolling Roof Sistemi

## Aluminum Rolling Roof System

Sistem Detayları  
System Details



NO	KOD CODE	WEIGHT	PRODUCT NAME
1	10001	4573 gr / mt.	PANEL
2	10018	-	PANEL PVC MIDDLE COVER
3	10002	1217 gr / mt.	TOP RAIL
4	10023	-	LIFTING HANDLE
5	10003	7340 gr / mt.	MAIN PROFILE



# Aluminyum Rolling Roof Sistemi

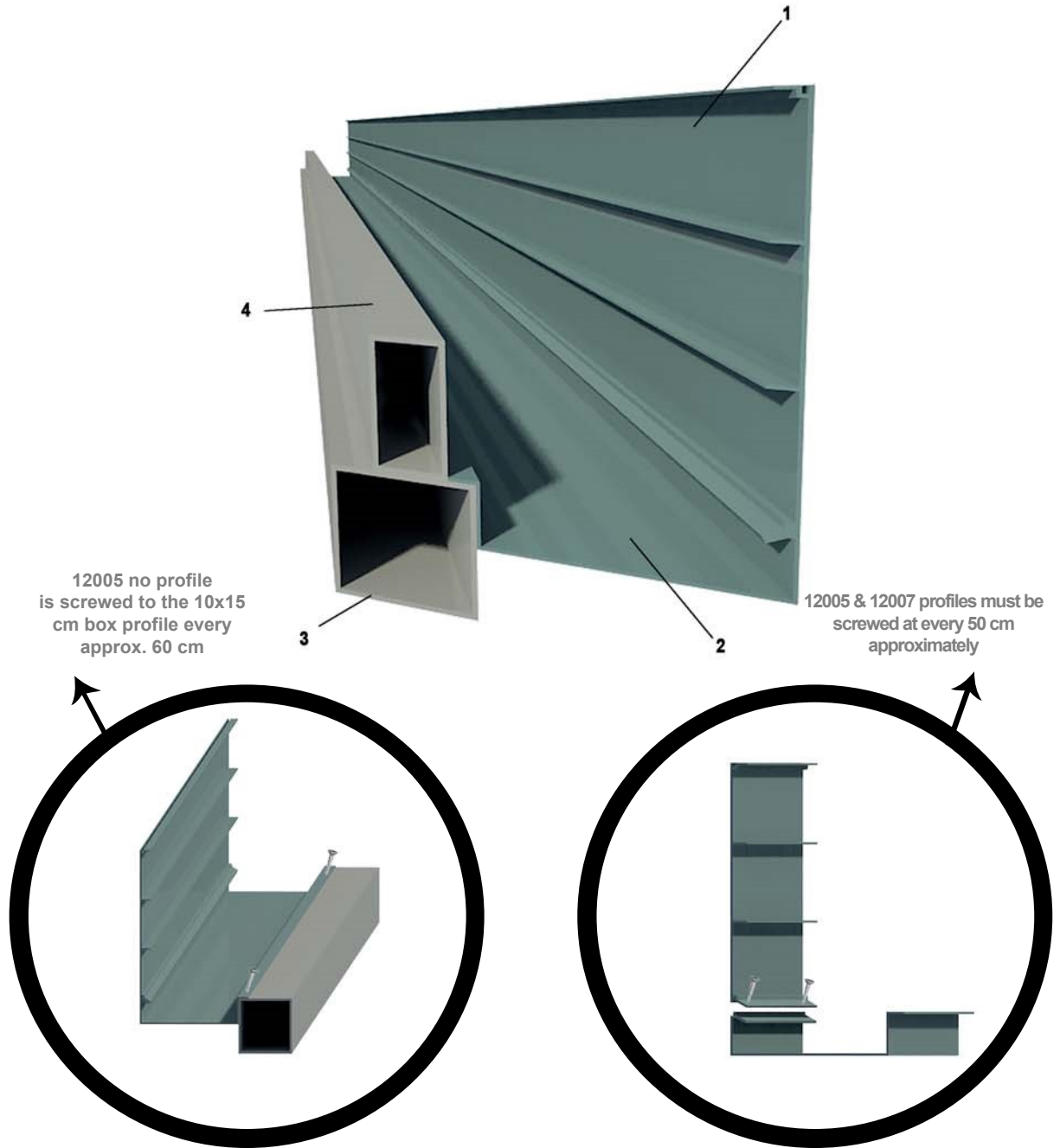
## Aluminum Rolling Roof System

### Oluk Sistem Detayları

### Drainage System Details



NO	KOD CODE	AGIRLIK WEIGHT	ÜRÜN ADI PRODUCT NAME
1	12007		
2	12005		
3	10005		
4	267		





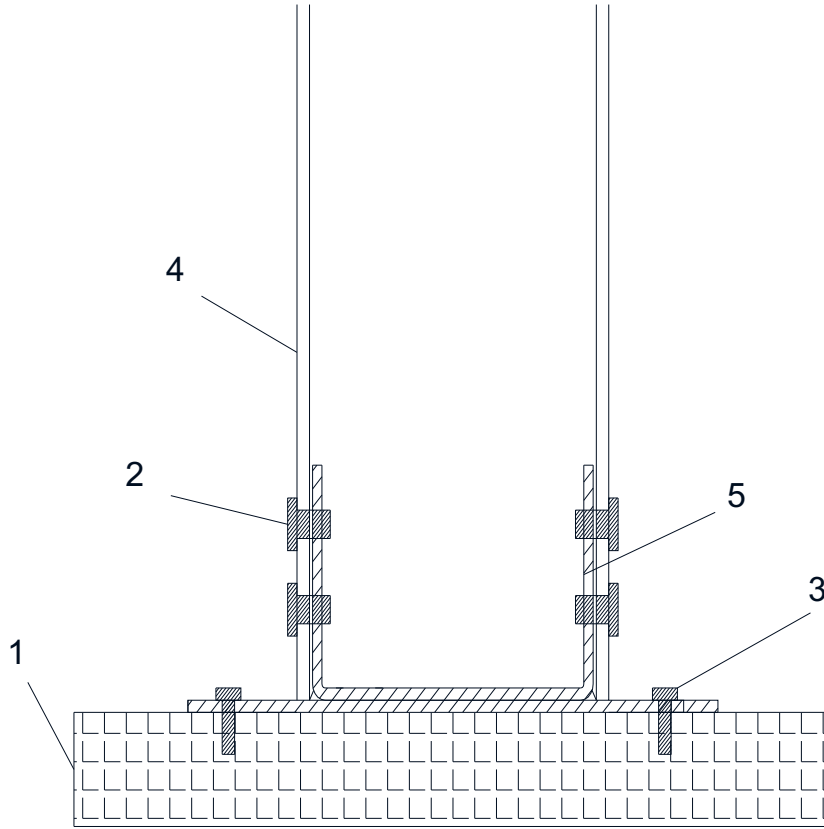
# Aluminyum Rolling Roof Sistemi

## Aluminum Rolling Roof System

Bağlantı Detayları  
Connection Details



NO	KOD CODE	AGIRLIK WEIGHT	ÜRÜN ADI PRODUCT NAME
1	-	-	CONCRETE BEAM
2	-	-	CREWS
3	-	-	STEEL PEG
4	10005	4163 gr / mt.	100x100x4 mm ALUMINIUM
5	10039	-	FLOOR ANCHOR



# Aluminyum Rolling Roof Sistemi

## Aluminum Rolling Roof System

### Bağlantı Detayları

### Connection Details



NO	KOD CODE	AGIRLIK WEIGHT	ÜRÜN ADI PRODUCT NAME
1	-	-	ANA DERE - KIRIS BAĞLANTI DETAYI (ÖN BÖLÜM)
2	-	-	PREKAST BAĞLANTI DETAYI (ARKA BÖLÜM)

