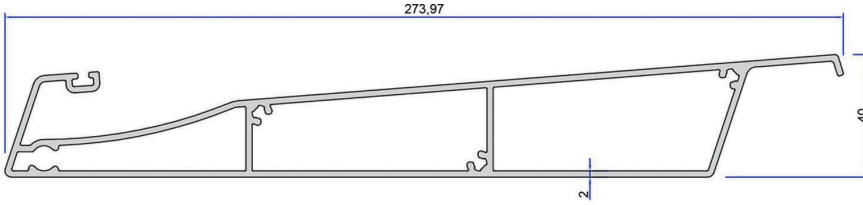
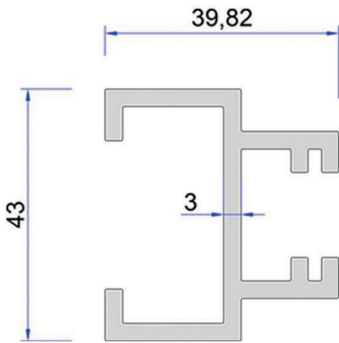
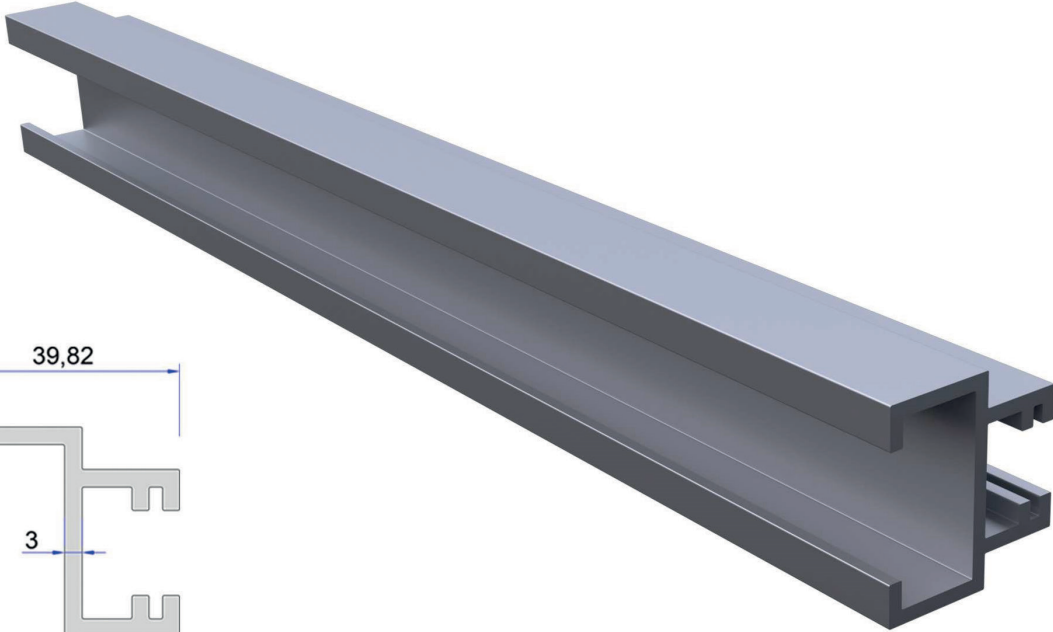


Düz Rolling Roof Sistemi Flat Rolling Roof System Profiller Profiles

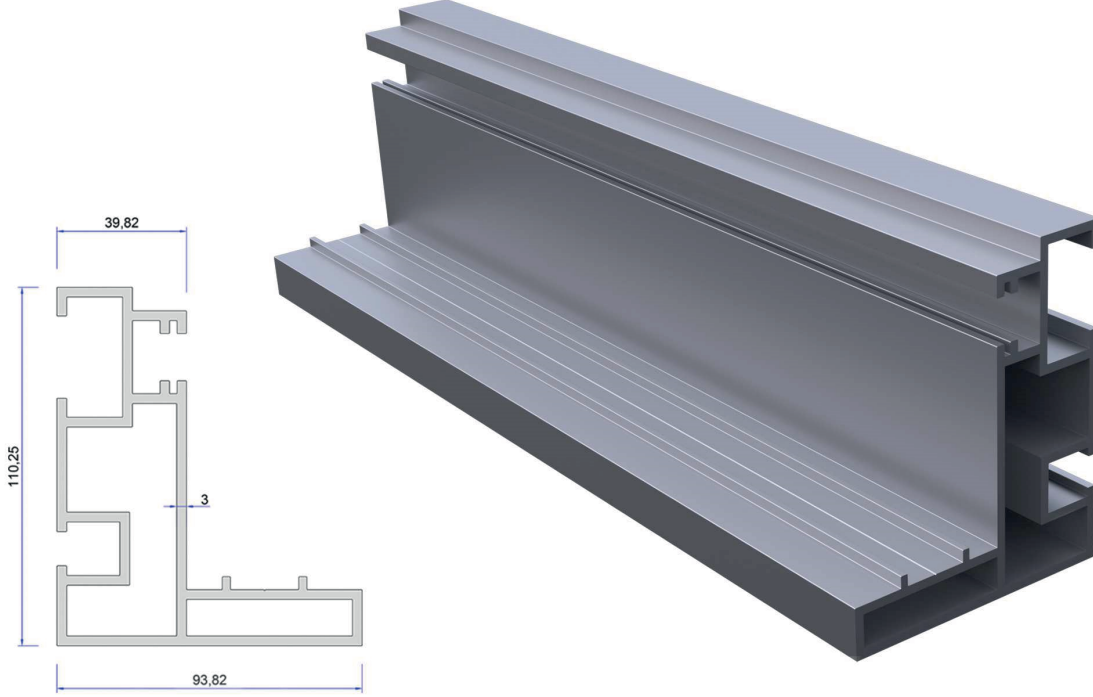


| PROFİL PROFİLE | 2420 | İSMİ NAME | LAMEL LAMELLA | AĞIRLIK WEIGHT | 3,705 kg/m | UZUNLUK LENGHT | 7 METRE 7 METER |
|-------------------|------|--------------|------------------|-------------------|------------|-------------------|--------------------|
|-------------------|------|--------------|------------------|-------------------|------------|-------------------|--------------------|

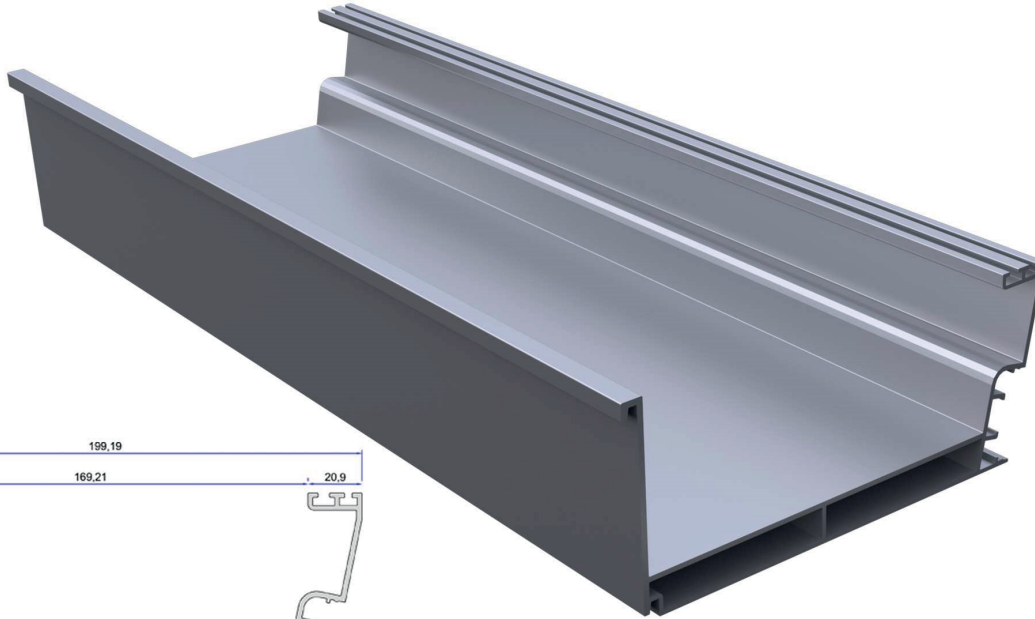


| PROFİL PROFİLE | 2421 | İSMİ NAME | RAY ÜST EK RAY TOP ADD | AĞIRLIK WEIGHT | 1,171 kg/m | UZUNLUK LENGHT | 7 METRE 7 METER |
|-------------------|------|--------------|---------------------------|-------------------|------------|-------------------|--------------------|
|-------------------|------|--------------|---------------------------|-------------------|------------|-------------------|--------------------|

Düz Rolling Roof Sistemi Flat Rolling Roof System Profiller Profiles

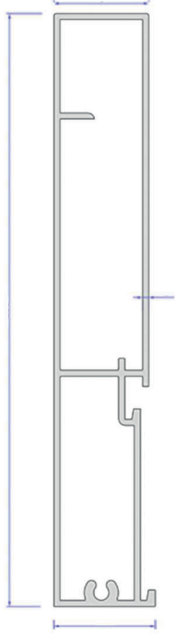


| | | | | | | | |
|--------------------------|-------------|---------------------|--------------------|--------------------------|-------------------|--------------------------|---------------------------|
| PROFİL PROFILE | 2422 | İSMİ NAME | RAY RAIL | AĞIRLIK WEIGHT | 3,984 kg/m | UZUNLUK LENGHT | 7 METRE 7 METER |
|--------------------------|-------------|---------------------|--------------------|--------------------------|-------------------|--------------------------|---------------------------|

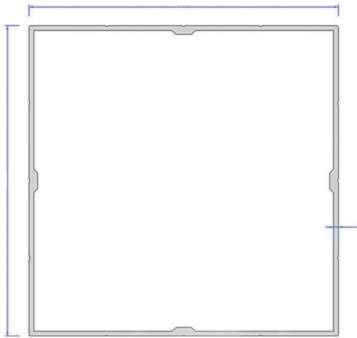
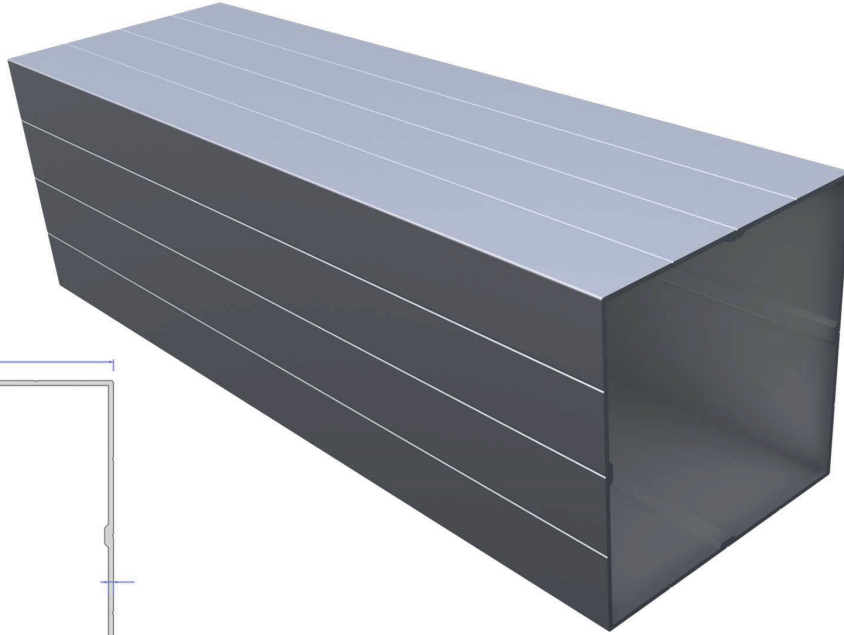


| | | | | | | | |
|--------------------------|-------------|---------------------|-------------------------------------|--------------------------|-------------------|--------------------------|---------------------------|
| PROFİL PROFILE | 2423 | İSMİ NAME | 80X200 OLUK 80X200 GUTTER | AĞIRLIK WEIGHT | 3,310 kg/m | UZUNLUK LENGHT | 7 METRE 7 METER |
|--------------------------|-------------|---------------------|-------------------------------------|--------------------------|-------------------|--------------------------|---------------------------|

Düz Rolling Roof Sistemi Flat Rolling Roof System Profiller Profiles

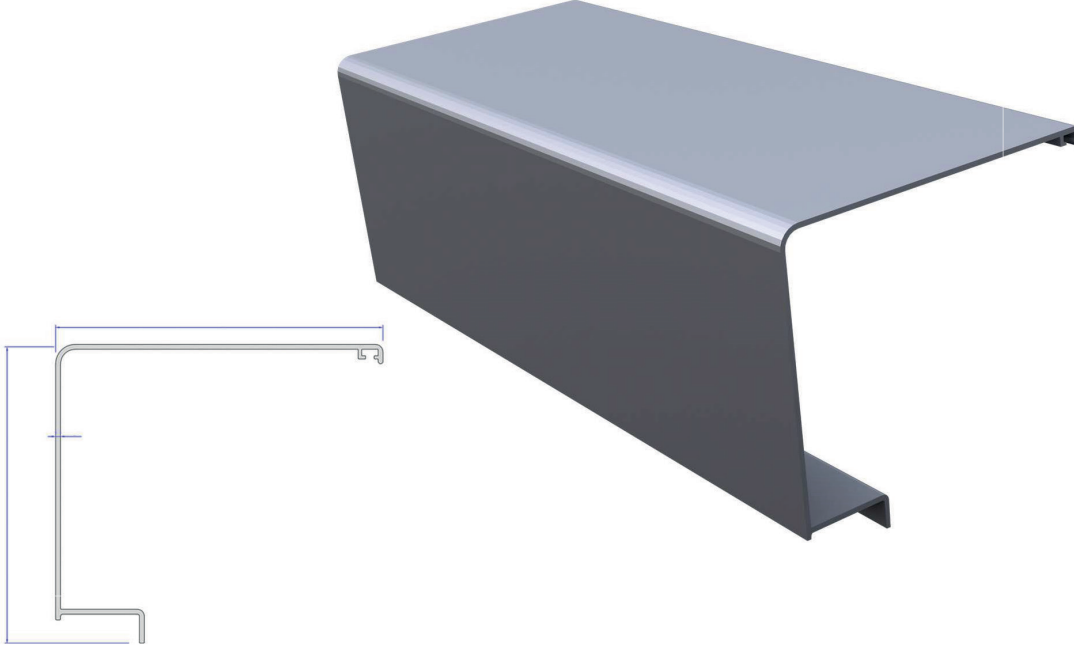


| | | | | | | | |
|--------------------------|-------------|---------------------|--------------------------------------------------|--------------------------|-------------------|--------------------------|---------------------------|
| PROFİL PROFILE | 2424 | İSMİ NAME | 40X250 OLUK DİKME 40X250 GUTTER SEWING | AĞIRLIK WEIGHT | 4,667 kg/m | UZUNLUK LENGHT | 7 METRE 7 METER |
|--------------------------|-------------|---------------------|--------------------------------------------------|--------------------------|-------------------|--------------------------|---------------------------|

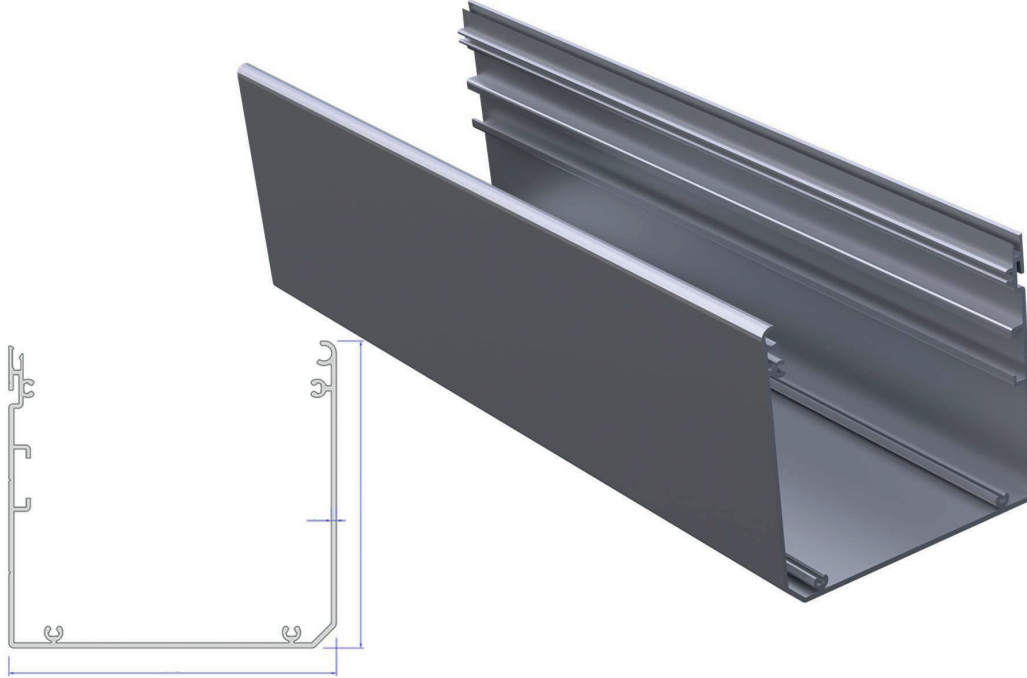


| | | | | | | | |
|--------------------------|-------------|---------------------|----------------------------------------|--------------------------|-------------------|--------------------------|---------------------------|
| PROFİL PROFILE | 2426 | İSMİ NAME | 160X160 DİKME 160X160 SEWING | AĞIRLIK WEIGHT | 4,472 kg/m | UZUNLUK LENGHT | 7 METRE 7 METER |
|--------------------------|-------------|---------------------|----------------------------------------|--------------------------|-------------------|--------------------------|---------------------------|

Düz Rolling Roof Sistemi Flat Rolling Roof System Profiller Profiles

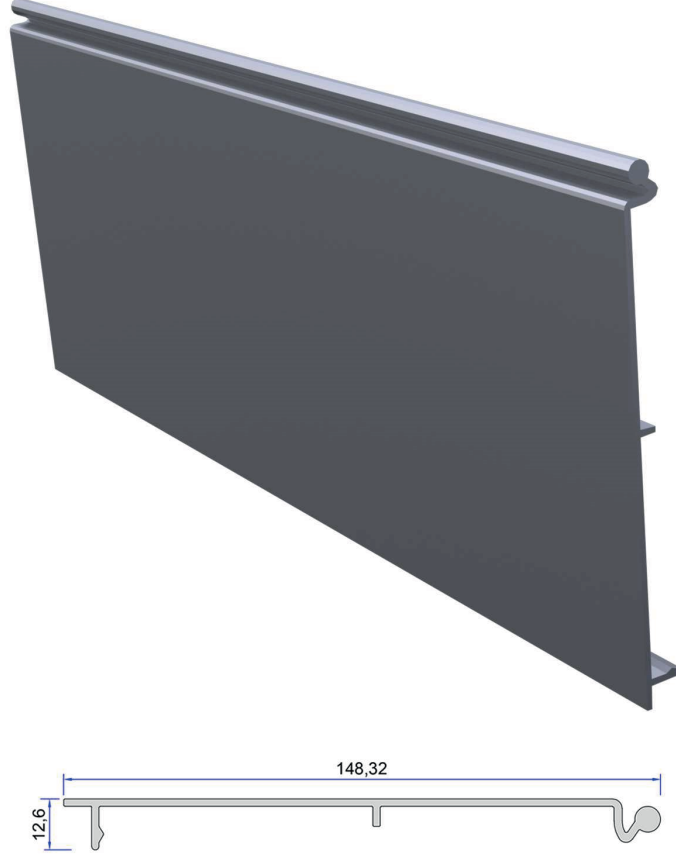


| | | | | | | | |
|--------------------------|-------------|---------------------|-----------------------------------------------------------------------------------|--------------------------|-------------------|--------------------------|---------------------------|
| PROFİL PROFILE | 2556 | İSMİ NAME | LİNEER MOTOR KAPATMA PROFİLİ LINEAR MOTOR SHUTDOWN PROFILE | AĞIRLIK WEIGHT | 2,540 kg/m | UZUNLUK LENGHT | 7 METRE 7 METER |
|--------------------------|-------------|---------------------|-----------------------------------------------------------------------------------|--------------------------|-------------------|--------------------------|---------------------------|



| | | | | | | | |
|--------------------------|-------------|---------------------|-----------------------------------|--------------------------|-------------------|--------------------------|---------------------------|
| PROFİL PROFILE | 2090 | İSMİ NAME | MOTOR KUTUSU ENGINE BOX | AĞIRLIK WEIGHT | 3,075 kg/m | UZUNLUK LENGHT | 7 METRE 7 METER |
|--------------------------|-------------|---------------------|-----------------------------------|--------------------------|-------------------|--------------------------|---------------------------|

Düz Rolling Roof Sistemi
Flat Rolling Roof System
Profiller
Profiles



| | | | | | | | |
|--------------------------|-------------|---------------------|------------------------------------------------|--------------------------|-------------------|--------------------------|---------------------------|
| PROFİL PROFİLE | 2091 | İSMİ NAME | MOTOR KUTUSU KAPAĞI ENGINE BOX COVER | AĞIRLIK WEIGHT | 0.915 kg/m | UZUNLUK LENGHT | 7 METRE 7 METER |
|--------------------------|-------------|---------------------|------------------------------------------------|--------------------------|-------------------|--------------------------|---------------------------|

Düz Rolling Roof Sistemi Flat Rolling Roof System Aksesuarlar Accessories



| ÜRÜN RESMİ PRODUCT IMAGE | ÜRÜN AÇIKLAMASI PRODUCT DESCRIPTION | ÜRÜN RESMİ PRODUCT IMAGE | ÜRÜN AÇIKLAMASI PRODUCT DESCRIPTION |
|-----------------------------|------------------------------------------------------------------------------------------------|-----------------------------|---------------------------------------------------------------------------------------|
| | AYAK ALT ANKALAJI LOWER FOOT ANCHORAGE | | MOTOR KUTU YAN KAPAĞI SOL ENGINE BOX SIDE COVER LEFT |
| | AYAK ORTA ÜST VE KÖŞE ANKALAJI FOOT MIDDLE UPPER AND CORNER ANCHORAGE | | MOTOR KUTU YAN KAPAĞI SAĞ ENGINE BOX SIDE NOTCHING RIGHT |
| | AYAK ORTA ÜST ANKALAJI FOOT MIDDLE UPPER ANCHORAGE | | 160X160 DİKME KERTME ŞABLONU 160X160 SEWING LASTING TEMPLATE |
| | AYAK ÜST KÖŞE ANKALAJI UPPER FOOT CORNER ANCHORAGE | | LİNEER MOTOR ARKA SABİTLEME MAFSALI LINEAR MOTOR REAR FIXING JOINT |
| | T10 TRİGER KAYIŞ BİRLEŞTİRME VE ÇEKME APARATI T10 TRİGER BELT JOINT AND TOWING DEVICE | | OLUK 90° TOPLAMA APARATI GROOVE 90° COLLECTING DEVICE |
| | 6001 RULMAN YATAĞI 6001 ROLLER BEARING | | RAY SABİTLEME (L) APARATI RAIL FIXING (L) APPARATUS |
| | PANEL SOL TEKER TAKIMI PANEL LEFT WHEEL SET | | DİKME ve KÖŞE BİRLEŞTİRME APARATI SEWING AND CORNER JOINING APPARATUS |
| | PANEL SAĞ TEKER TAKIMI PANEL RIGHT WHEEL SET | | T10 TRİGER KAYIŞ GERME APARATI T10 TRİGER BELT TENSIONING DEVICE |
| | LİNEER MOTOR MAFSALI LINEAR MOTOR JOINT | | ARKA SABİT PANEL ÜST BAĞLANTI PARÇASI REAR FIXED PANEL UPPER CONNECTION PART |

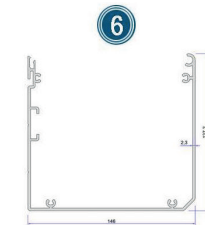
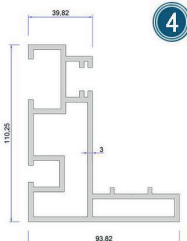
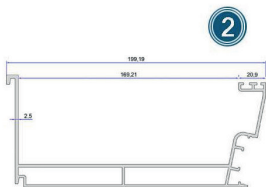
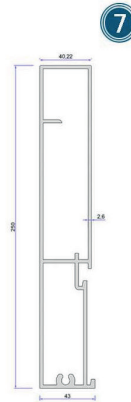
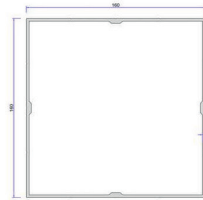
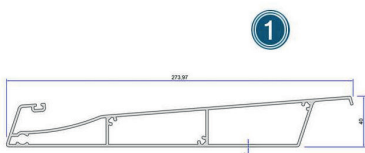
Düz Rolling Roof Sistemi Flat Rolling Roof System

Aksesuarlar Accessories

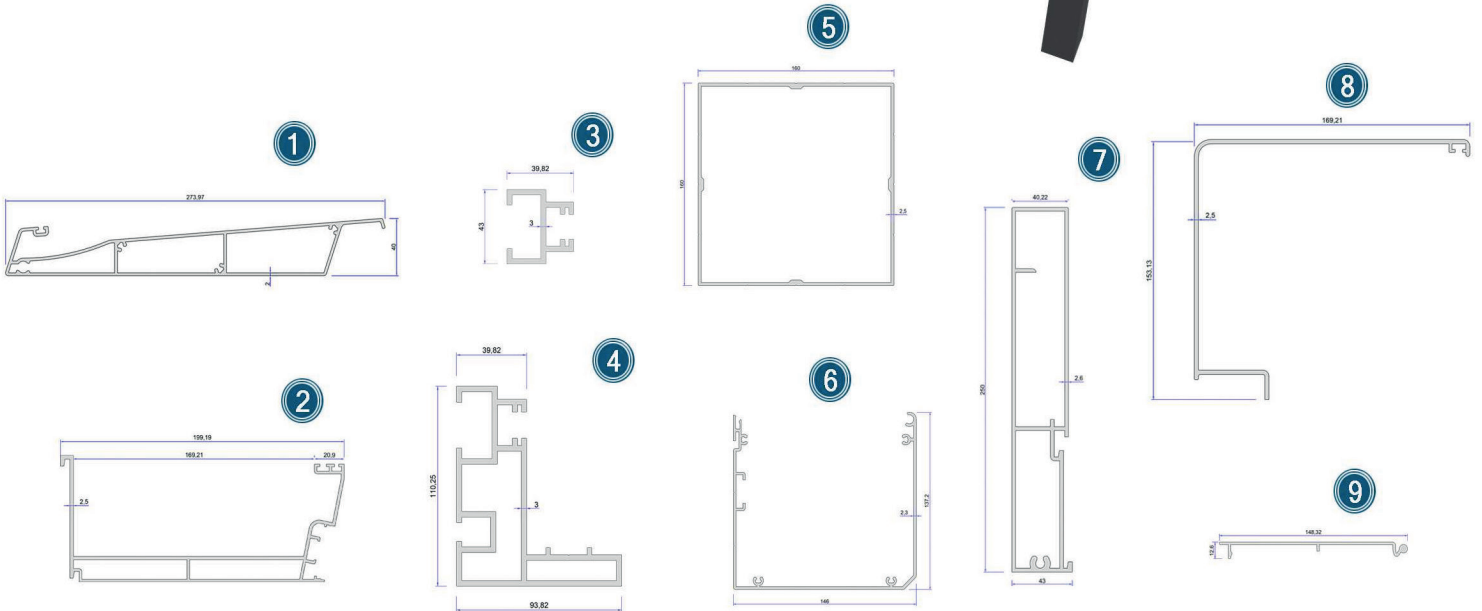


| ÜRÜN RESMİ PRODUCT IMAGE | ÜRÜN AÇIKLAMASI PRODUCT DESCRIPTION | ÜRÜN RESMİ PRODUCT IMAGE | ÜRÜN AÇIKLAMASI PRODUCT DESCRIPTION |
|-----------------------------|----------------------------------------------------------------------------------------|-----------------------------|---------------------------------------------------------|
| | ARKA SABİT PANEL ALT BAĞLANTI PARÇASI REAR FIXED PANEL BOTTOM CONNECTION PART | | İZOLELİ LED INSULATED LED |
| | LİNEER MOTOR ÜST SABİTLEME APARATI LINEAR MOTOR TOP FIXING APPARATUS | | DFİZÖR KAPAĞI DIFFUSER COVER |
| | LİNEER MOTOR MAFSALI SABİTLEME APARATI LINEAR MOTOR JOINT FIXING APPARATUS | | T10X16 TRİGER KAYIŞ T10X16 TRİGER BELT |
| | T10 TRİGER DİŞLİSİ (60mm) T10 TRİGER GEAR (60mm) | | LAMEL FİTİLİ LAMELLA WICK |
| | T10 TRİGER KAYIŞ YÖN VERME APARATI T10 TRİGER BELT DIRECTION APPARATUS | | SU OLUK FİTİLİ WATER GUTTER WICK |
| | 6001 RULMAN 60001 ROLLER | | 4+2=6 İZOLELİ ÇELİK HALAT 4+2=6 INSULATED STEEL ROPE |
| | SEKİZGEN BORU BAŞI OCTOGON PIPE APPARATUS | | 2000X24,5 MM LİNEER MOTOR 2000X24,5 LINEAR MOTOR |
| | LED TRAFOSU LED TRANSFORMER | | LİNEER MOTOR PANELİ LINEAR MOTOR PANEL |
| | SEKİZGEN BORU OCTOGON PIPE | | 120NM SOMFY MOTOR 120NM SOMFY MOTOR |
| | | | SOMFY KUMANDA SOMFY CONTROL |

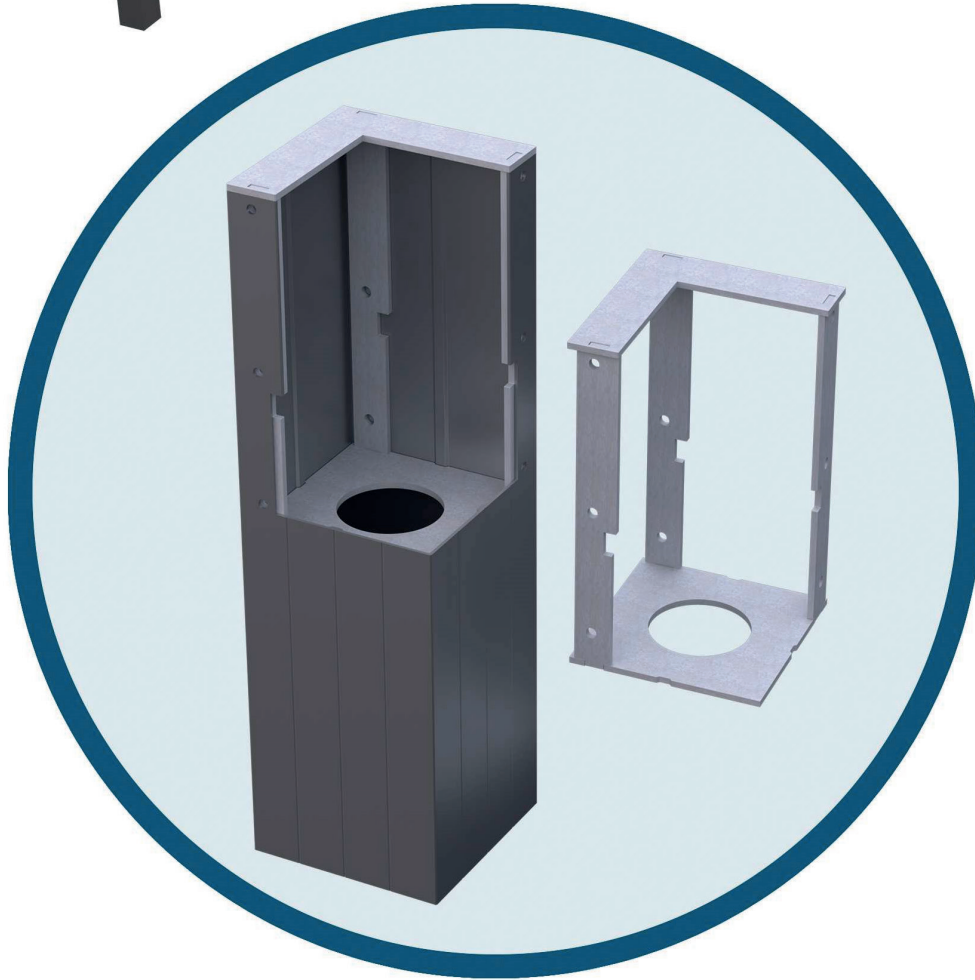
Düz Rolling Roof Sistemi Flat Rolling Roof System Kurulum Detayları Assembly Details



Düz Rolling Roof Sistemi Flat Rolling Roof System Kurulum Detayları Assembly Details

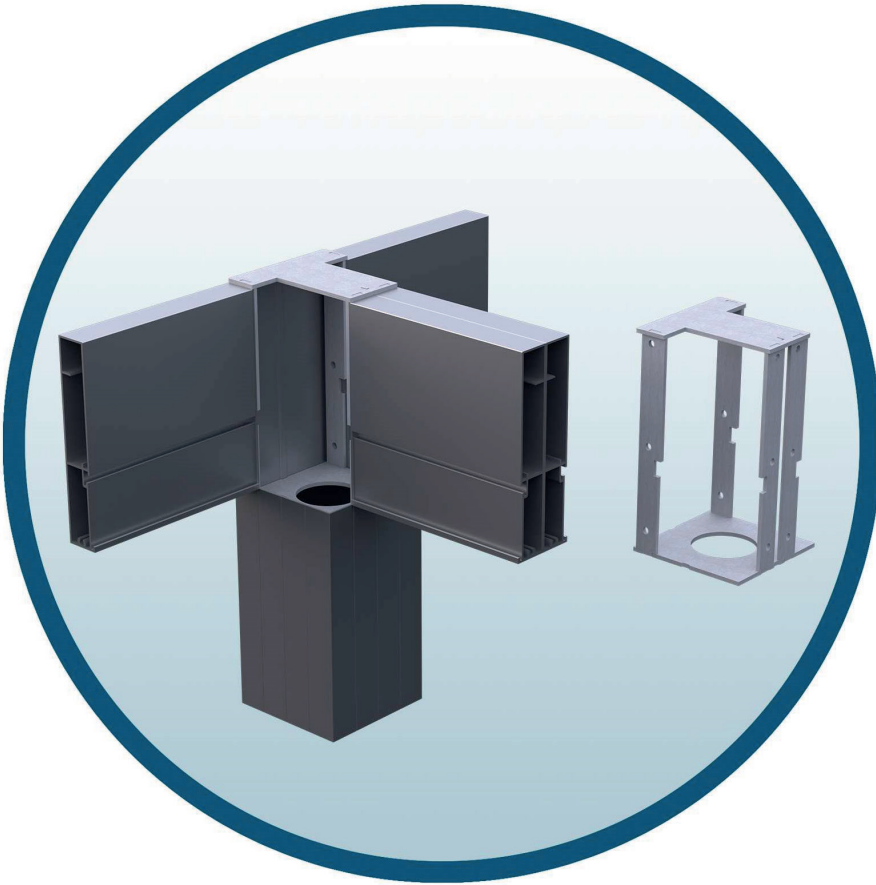
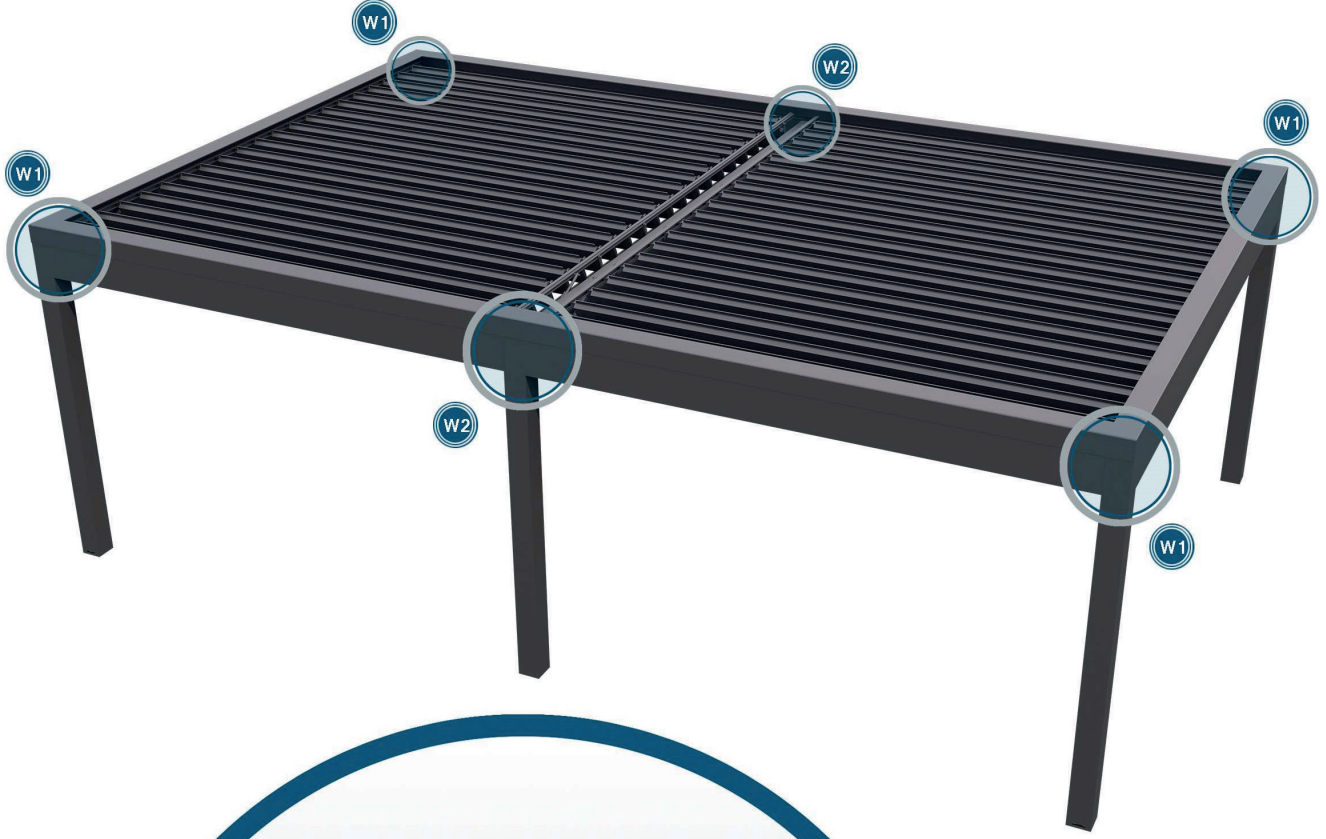


Düz Rolling Roof Sistemi
Flat Rolling Roof System
Kurulum Detayları
Assembly Details



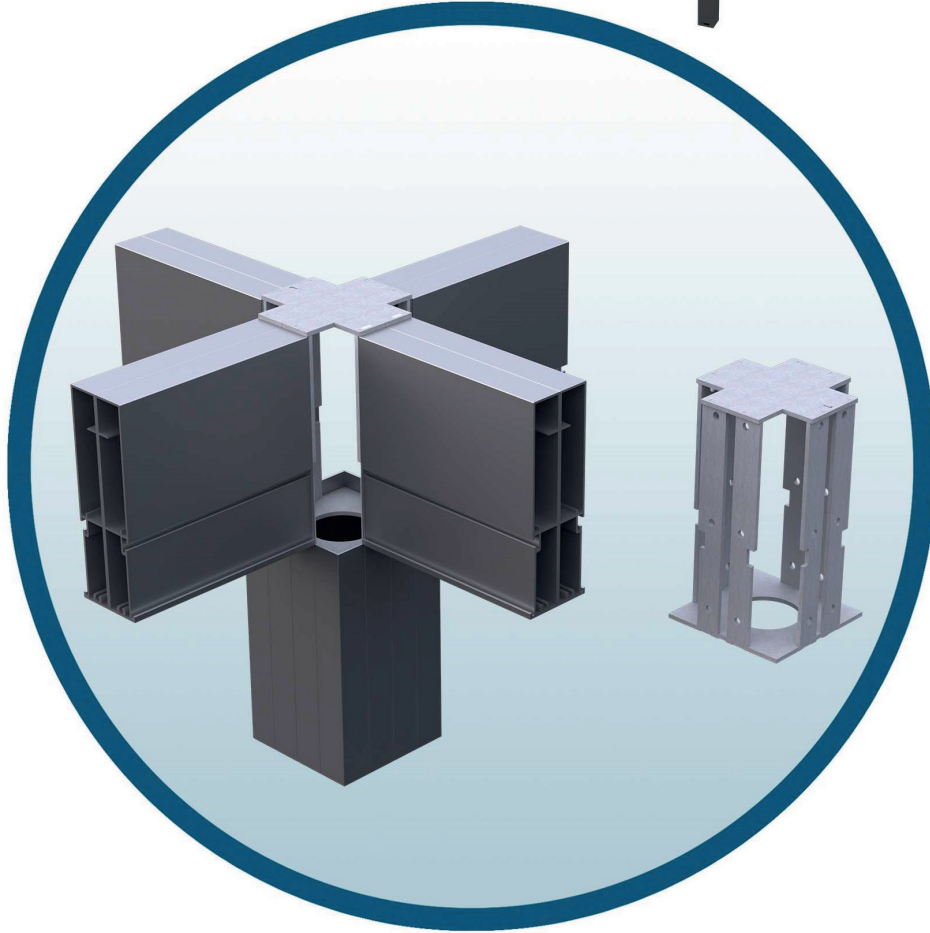
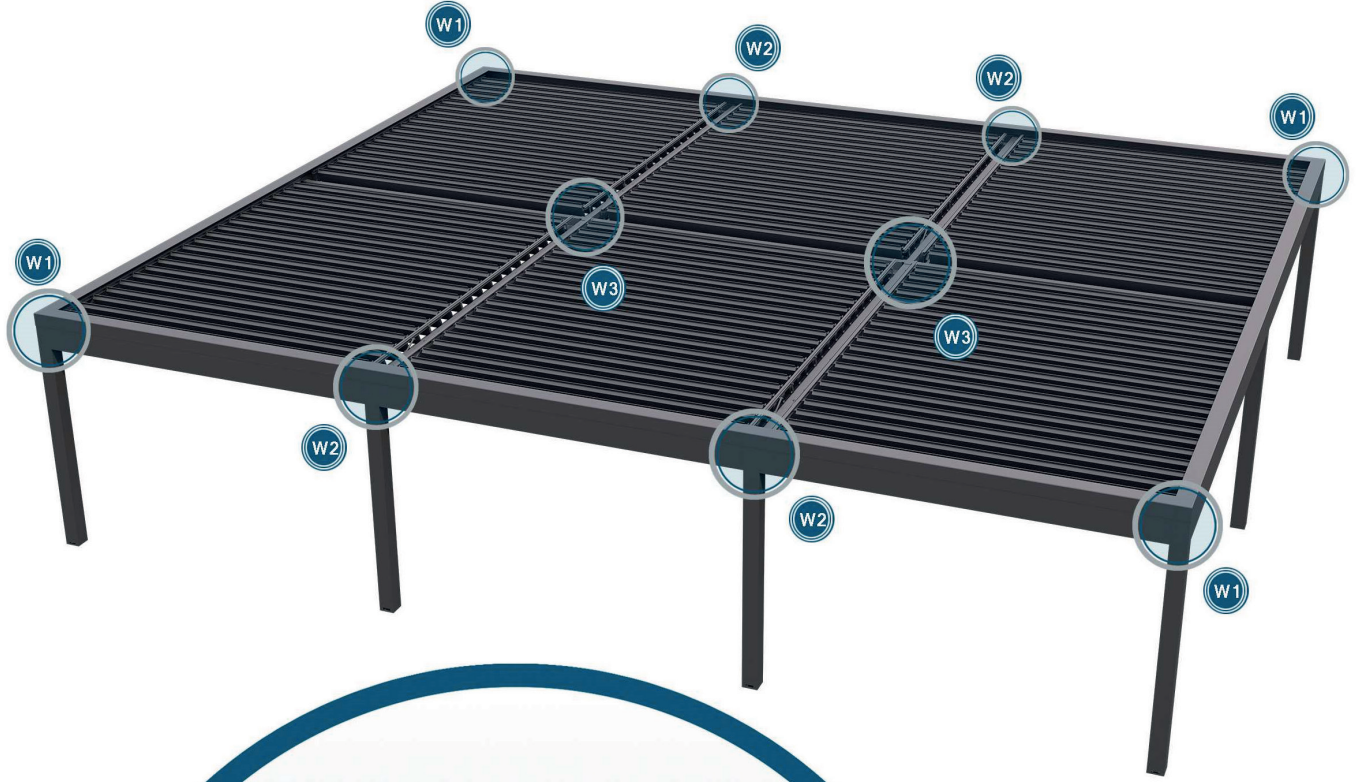
Düz Rolling Roof Sistemi Flat Rolling Roof System

Kurulum Detayları
Assembly Details



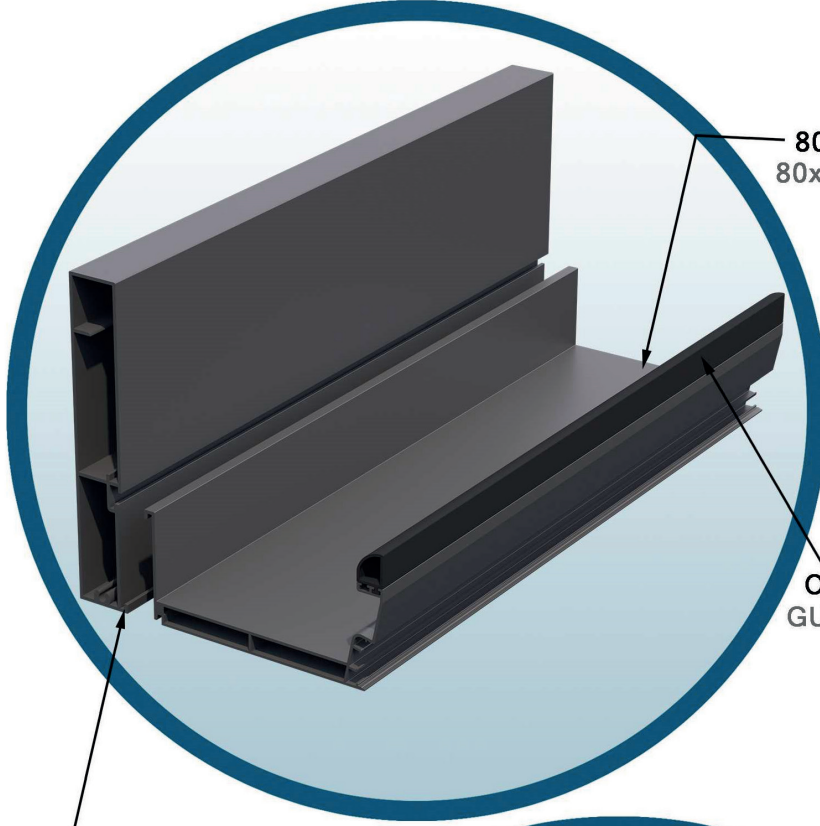
Düz Rolling Roof Sistemi Flat Rolling Roof System

Kurulum Detayları
Assembly Details



Düz Rolling Roof Sistemi Flat Rolling Roof System

Kurulum Detayları
Assembly Details



80x200 OLUK
80x200 GUTTER

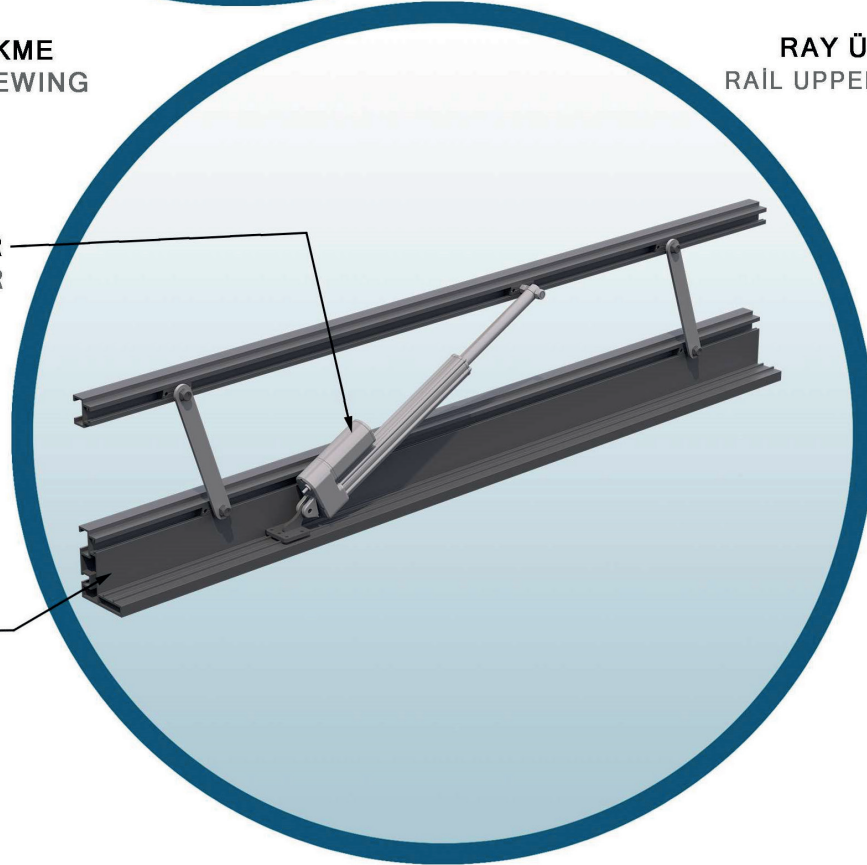
OLUK EPDM CONTASI
GUTTER EPDM GASKET

40X250 OLUK DİKME
40X250 GUTTER SEWING

RAY ÜST EK
RAİL UPPER ADDITION

LİNEER MOTOR
LINEAR MOTOR

RAY
RAİL



Düz Rolling Roof Sistemi
Flat Rolling Roof System
Kurulum Detayları
Assembly Details



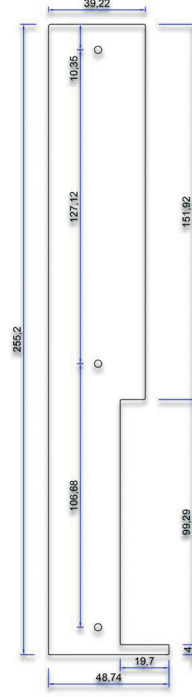
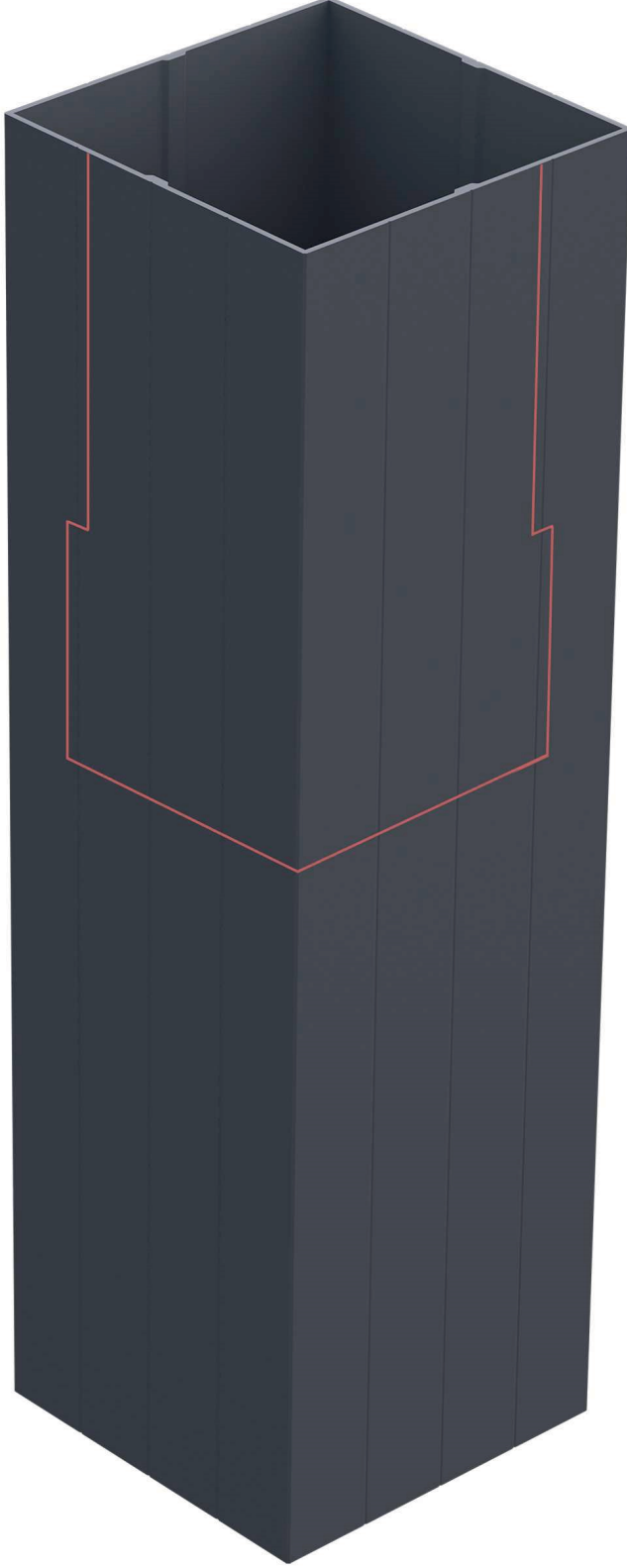
BIO - 04 AYAK ÜST KÖŞE ANKALAJI
BIO - 04 UPPER FOOT CORNER ANKALG



160X160 DİKME
160X160 SEWING

2426 KALIP NUMARASI
MOLD NUMBER

Düz Rolling Roof Sistemi
Flat Rolling Roof System
Kurulum Detayları
Assembly Details



KESİM ŞABLONU
CUTTING TEMPLATE



2426 KALIP NUMARASI
MOLD NUMBER

Düz Rolling Roof Sistemi
Flat Rolling Roof System
Kurulum Detayları
Assembly Details



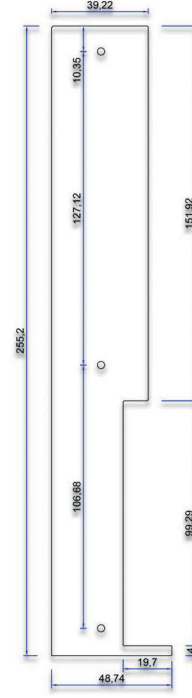
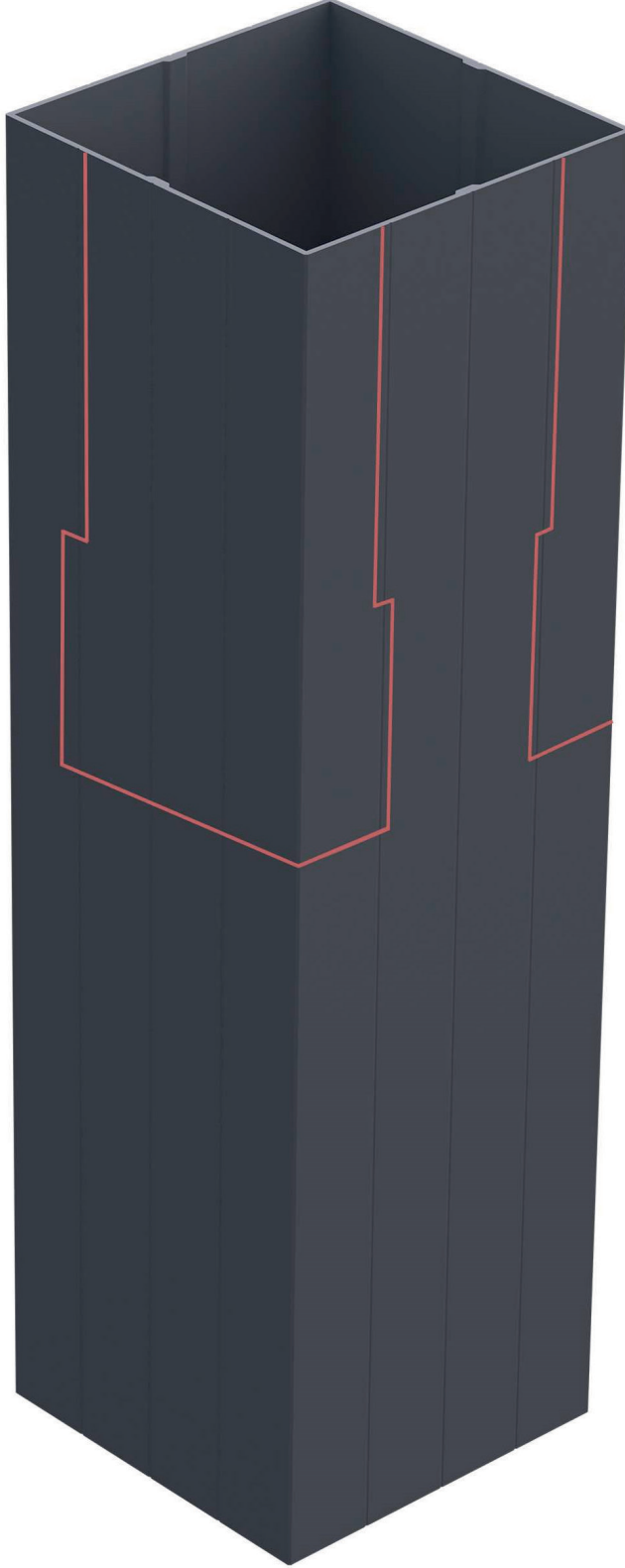
BIO - 02 AYAK ORTA ÜST VE KÖŞE ANKALAJI
BIO - 02 FOOT MIDDLE TOP AND CORNER ANCALG



160X160 DİKME
160X160 SEWING

2426 KALIP NUMARASI
MOLD NUMBER

Düz Rolling Roof Sistemi
Flat Rolling Roof System
Kurulum Detayları
Assembly Details



KESİM ŞABLONU
CUTTING TEMPLATE

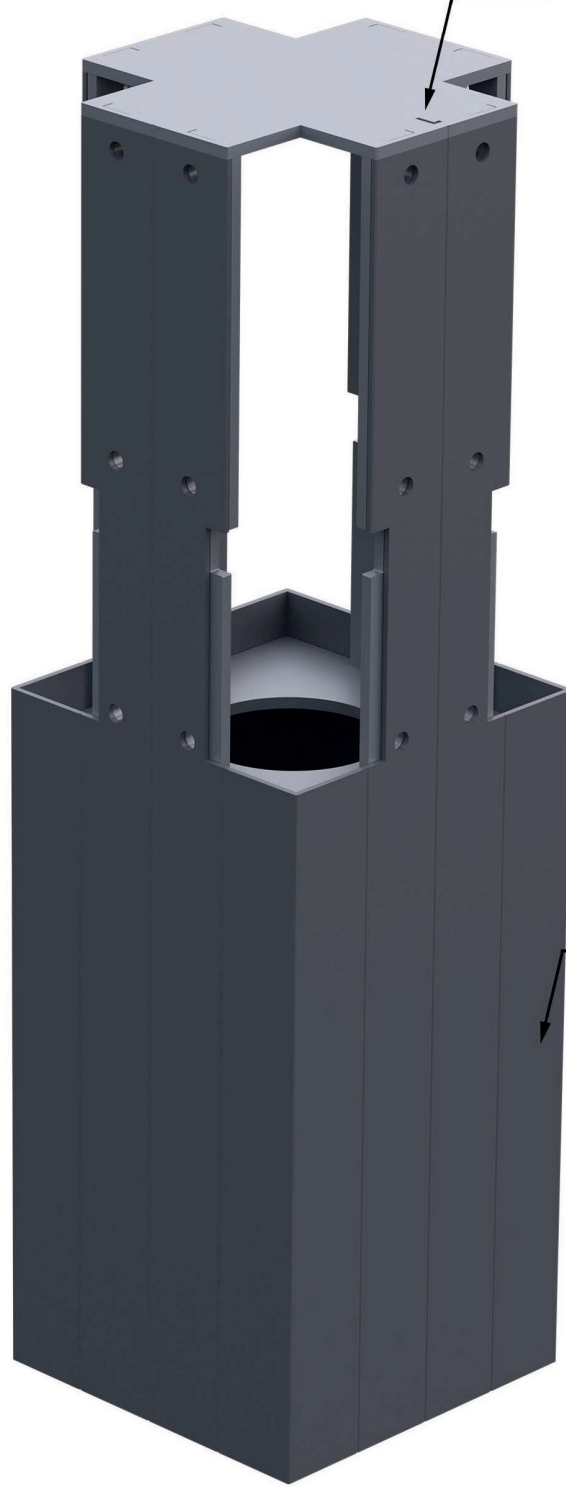


2426 KALIP NUMARASI
MOLD NUMBER

Düz Rolling Roof Sistemi
Flat Rolling Roof System
Kurulum Detayları
Assembly Details



BIO - 02 AYAK ORTA ÜST VE KÖŞE ANKALAJI
BIO - 02 FOOT MIDDLE TOP AND CORNER ANCALG



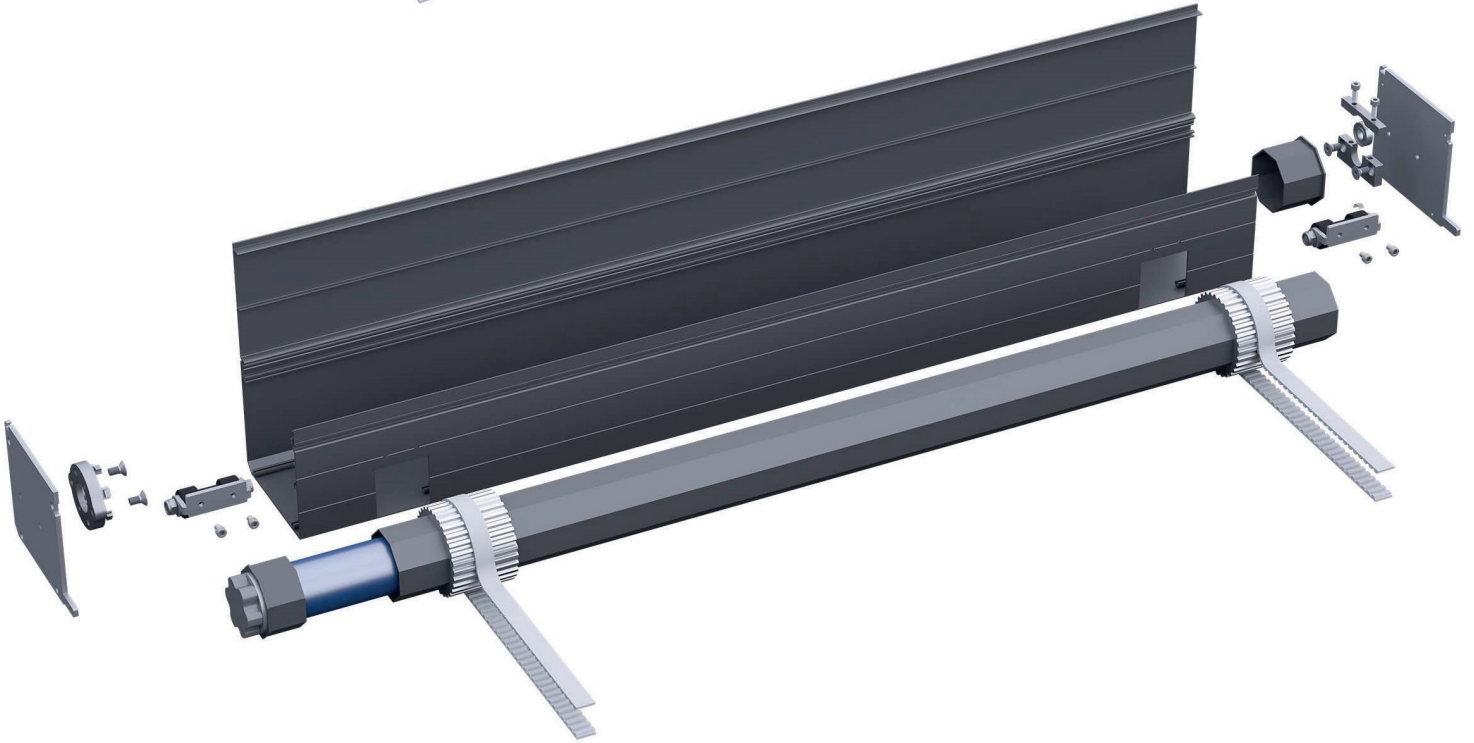
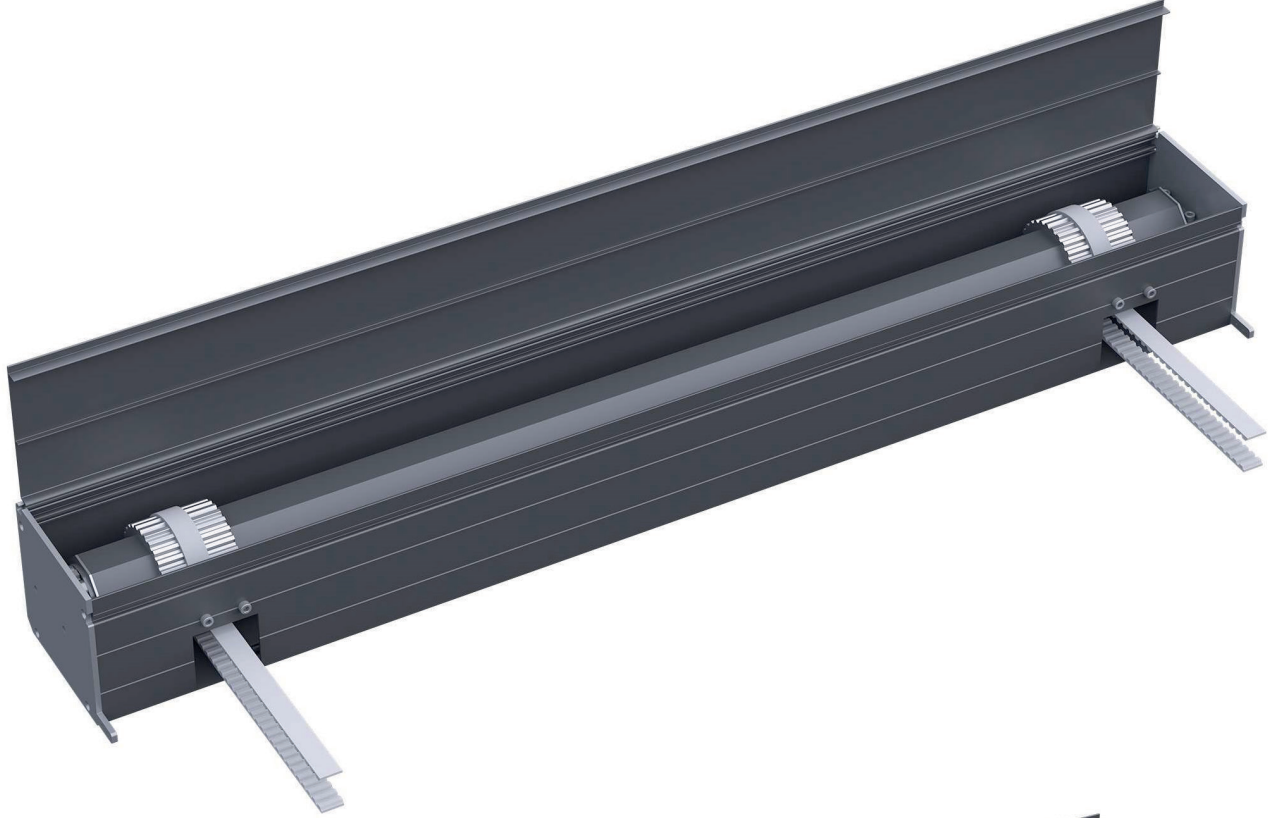
160X160 DİKME
160X160 SEWING

2426 KALIP NUMARASI
MOLD NUMBER

Düz Rolling Roof Sistemi
Flat Rolling Roof System
Kurulum Detayları
Assembly Details

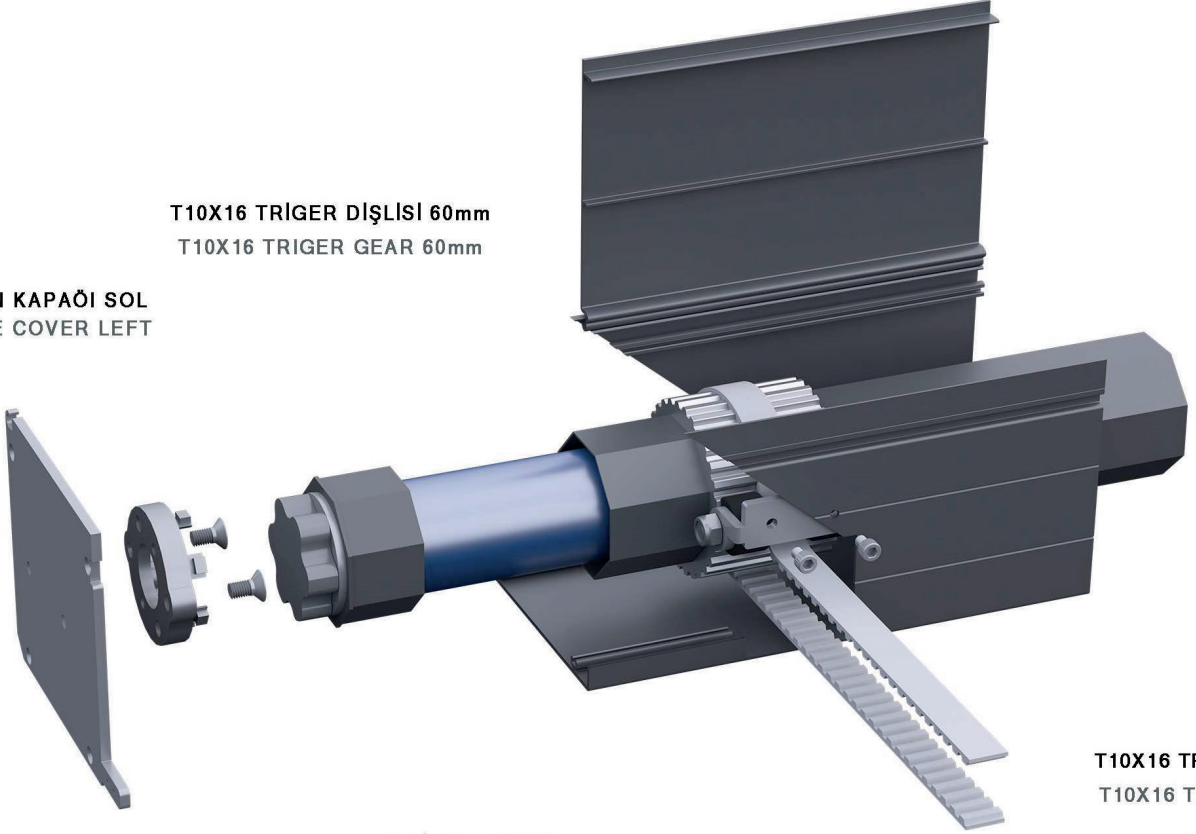


Düz Rolling Roof Sistemi
Flat Rolling Roof System
Kurulum Detayları
Assembly Details



T10X16 TRİGER DİŞLİSİ 60mm
T10X16 TRİGER GEAR 60mm

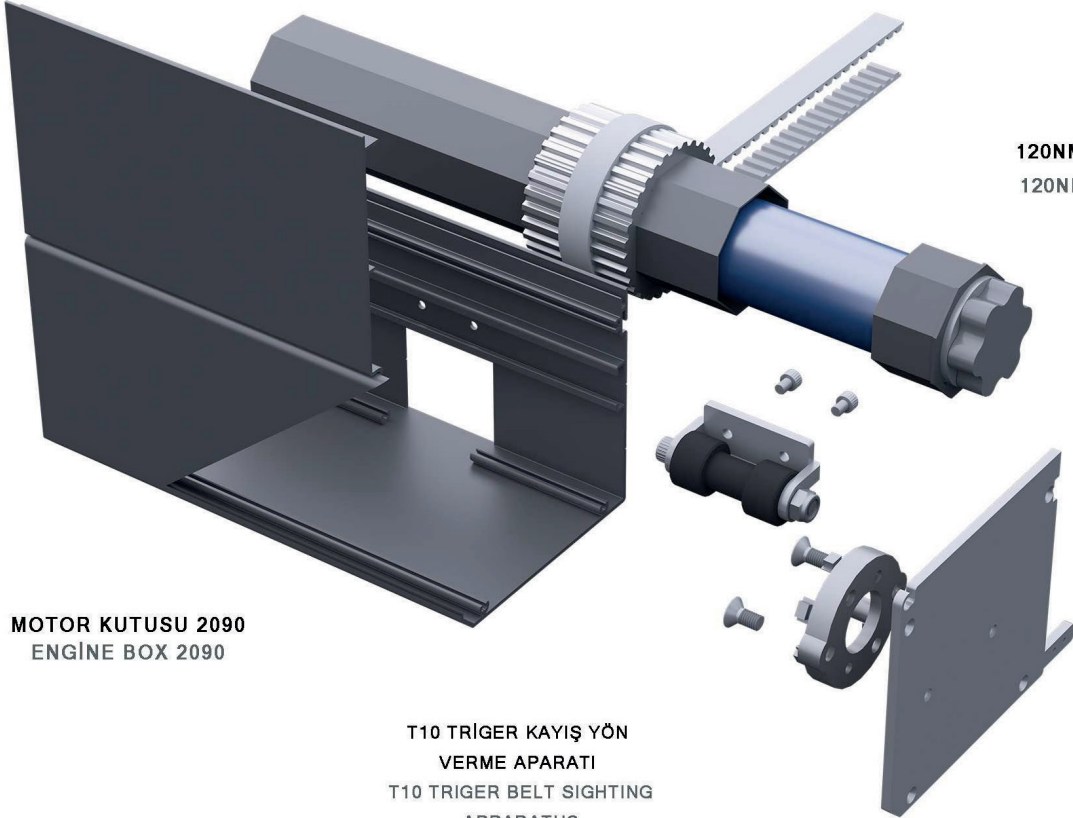
MOTOR KUTU YAN KAPAĞI SOL
ENGINE BOX SIDE COVER LEFT



T10X16 TRİGER KAYIŞ
T10X16 TRİGER BELT

SEKİZGEN BORU
OCTAGON PIPE

MOTOR KUTU KAPAĞI 2091
ENGINE BOX COVER 2091



120NM SOMFY MOTOR
120NM SOMFY MOTOR

MOTOR KUTUSU 2090
ENGINE BOX 2090

T10 TRİGER KAYIŞ YÖN
VERME APARATI
T10 TRİGER BELT SIGHTING
APPARATUS