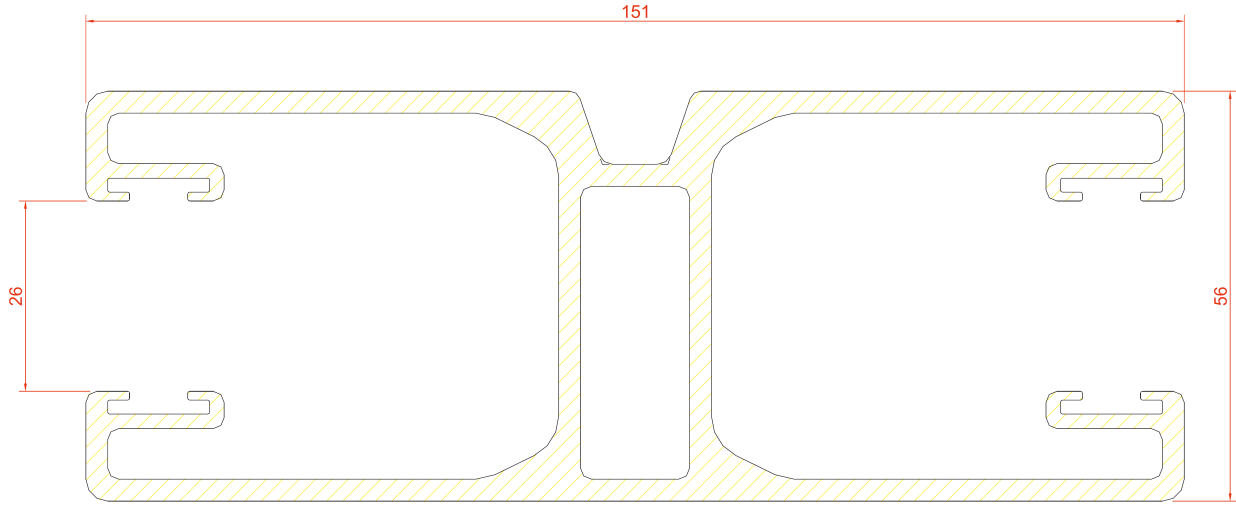


Hareketli Cam Tavan Sistemi Sliding Glass Roof System

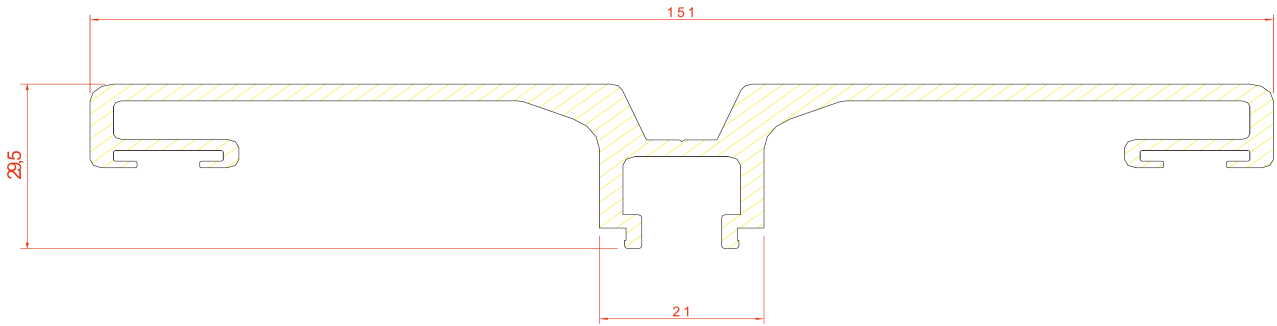
Kasa Profilleri
Case Profiles



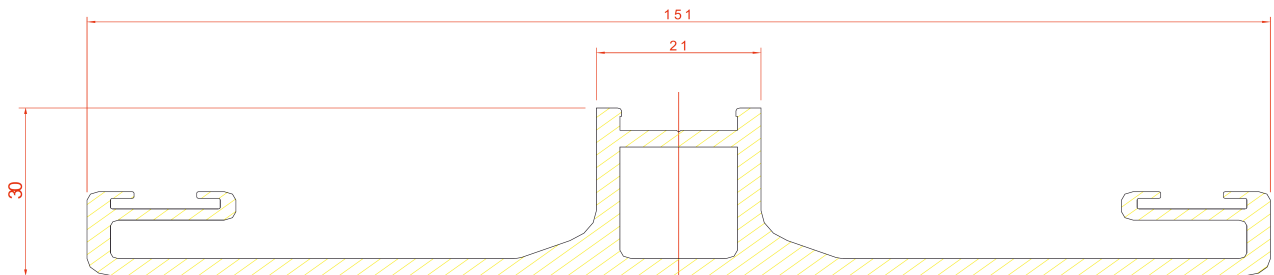
NO	Kod Code	Ağırlık Weight	Profil adı Profile Name
1	3465	4493 gr / m	Bütün Kasa Main Case
2	3172	2312 gr / m	Alt Kasa Üst Parça Lower Case Top Parts
3	3173	2364 gr / m	Alt Kasa Alt Parça Lower Case Lower Part



1



2



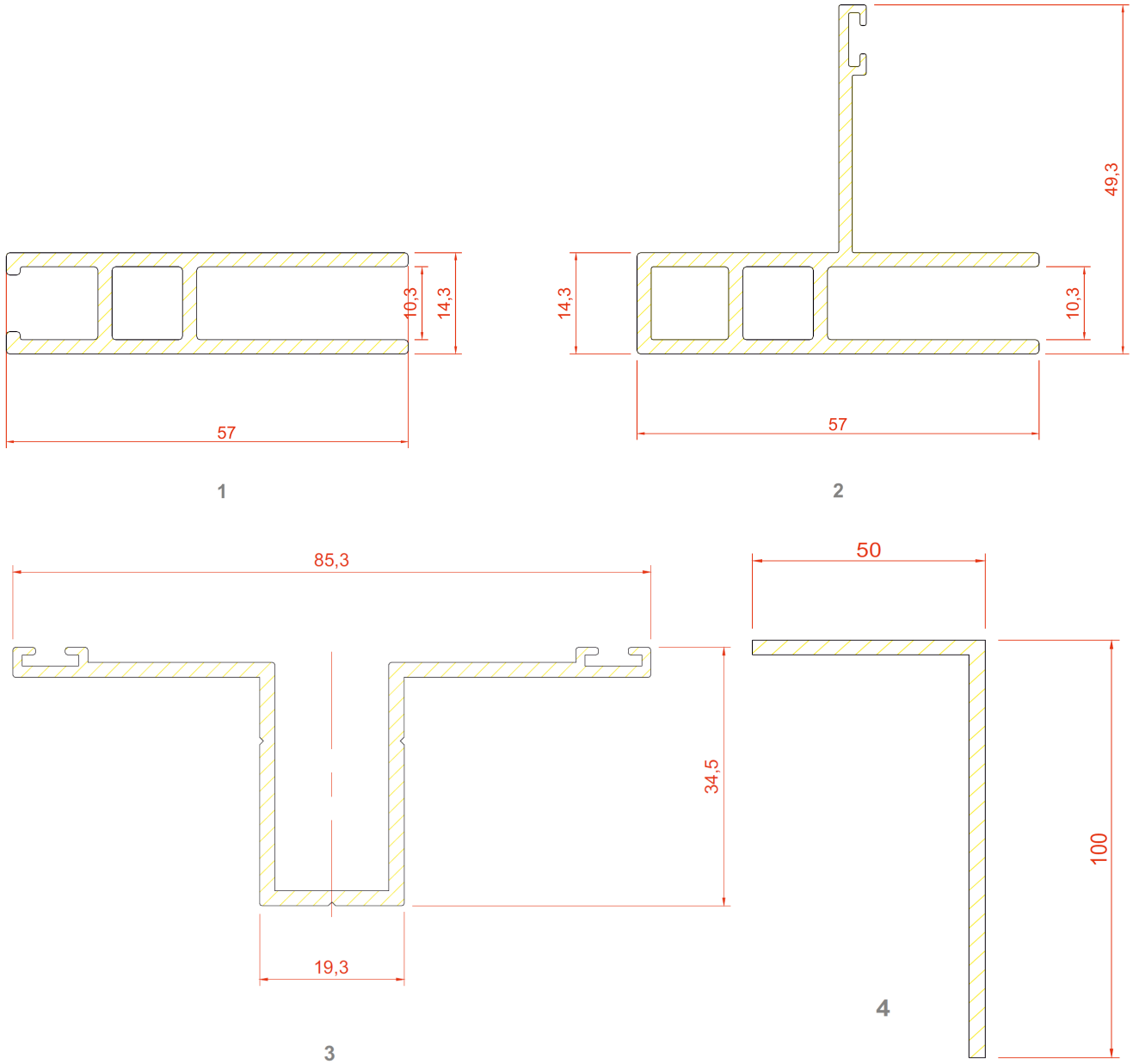
3

Hareketli Cam Tavan Sistemi Sliding Glass Roof System

Kanat Profilleri Wing Profiles



NO	Kod Code	Ağırlık Weight	Profil Adı Profile Name
1	3466	743 gr / m	Düz Kanat Flat Wing
2	3467	983 gr / m	Fıtlı Kanat Insulating Wing
3	3174	822 gr / m	Orta Kayıt Mid-Supportive Profile
4	3176	756 gr / m	Kanat İçi Orta Kayıt Inside Wing Middle Profile
5	3546	1389 gr / m	100x50 Alın Profili 100x50 Forehead Profile

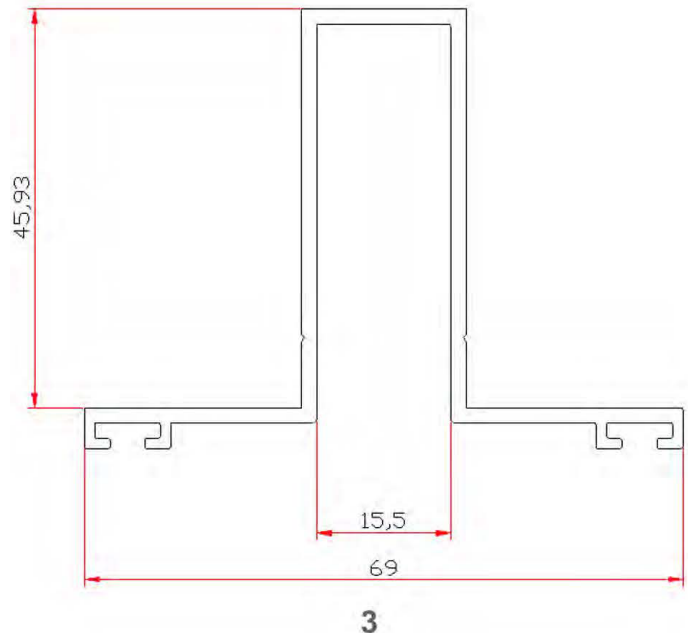
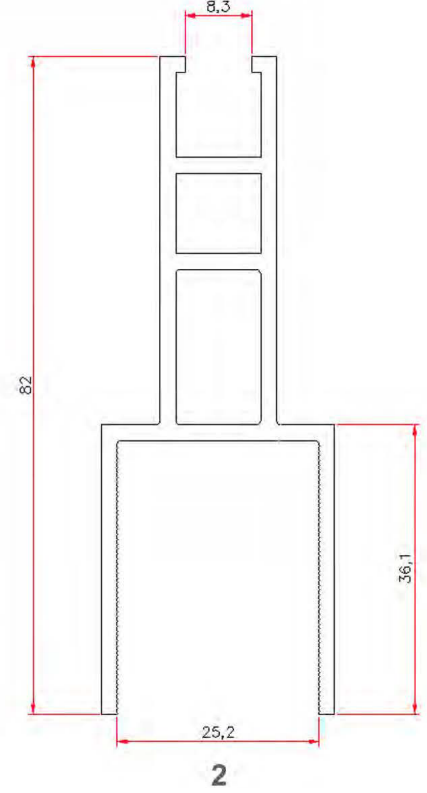
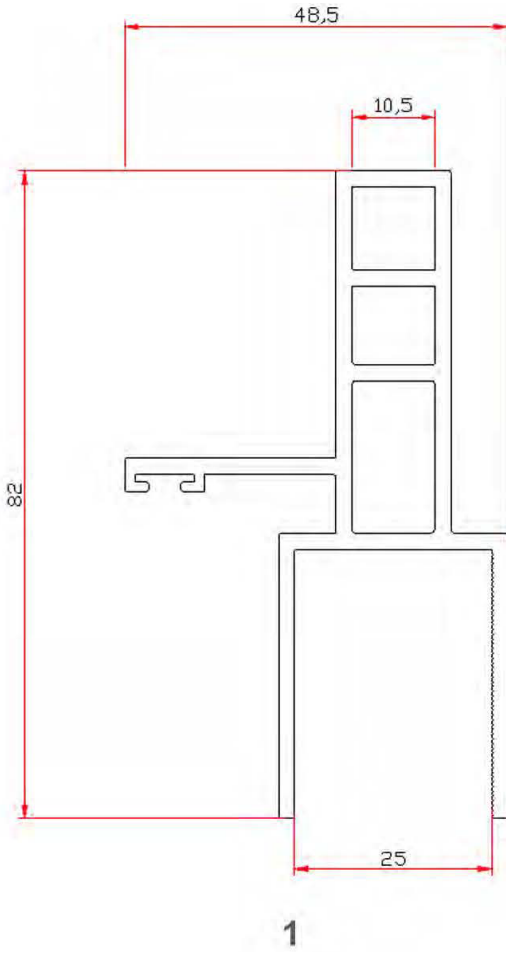


Hareketli Cam Tavan Sistemi Sliding Glass Roof System

Kanat Profilleri Wing Profiles



NO	KOD CODE	AGIRLIK WEIGHT	PROFIL ADI PROFILE NAME
1	3470	1355 gr / m	Isıcamlı Fıııllı Kanat Double Glazed Insulating Wing
2	3468	1135 gr / m	Isıcamlı Düz Kanat Double Glazed Flat Wing
3	3469	845 gr / m	Isıcamlı Orta Kayıt Double Glazed Middle Wing



Hareketli Cam Tavan Sistemi Sliding Glass Roof System

Aksesuarlar Accessories



NO	KOD	ÜRÜN ADI
1	7001	MOTOR TAKIMI
2	7003	MOTOR BORUSU (1 METRE)
3	7006	BORU BAŞI
4	7007	BORU KARŞISI BİLYELİ
5	7009	MOTOR BAĞLAMA KAMASI
6	7013	TEKER
7	7016	PVC ÜST KASA KAPAĞI
8	7017	KANAT SIZDIRMAZLIK TAKOZU
9	7018	KANAT BİRLEŞTİRİCİ ALÜMİNYUM (ÇAVUŞ)
10	7020	12 mm KİL FİTİL
11	7021	BORU ESNEME ENGELLEYİCİ
12	7206	BÜYÜK MOTOR BORU ESNEME ENGELLEYİCİ
13	7022	ÇİFT TARAFLI BANT
14	7023	BORU ÇIKMA APARATI
15	7024	ÇİFT TARAFLI BANT YÜZEY TEMİZLEYİCİ
16	7031	POLİÜRETAN KAYIŞ
17	7201	TRİGER DİŞLİ KASNAK
18	7207	BÜYÜK MOTOR TRİGER DİŞLİ (20 m 2)
19	7208	BÜYÜK MOTOR TRİGER DEMİR DİŞLİ
20	7202	KAYIŞLI ÖN KAPAK
21	7203	KAYIŞLI ARKA KAPAK
22	7204	KAYIŞ TUTUCU
23	7205	KAYIŞ DÖNDÜRÜCÜ
24	5015	90 cm KİL FIRÇA
25	2016	10 mm KİL FİTİL
26	7101	POLİKARBONAT



1



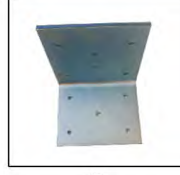
2



3



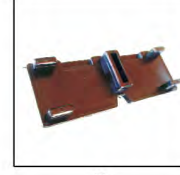
4



5



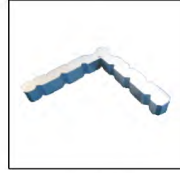
6



7



8



9



10



11



12



13



14



15



16



17



18



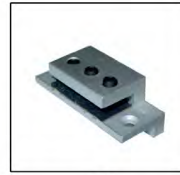
19



20



21



22



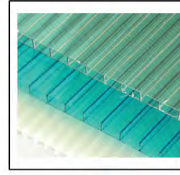
23



24



25



26

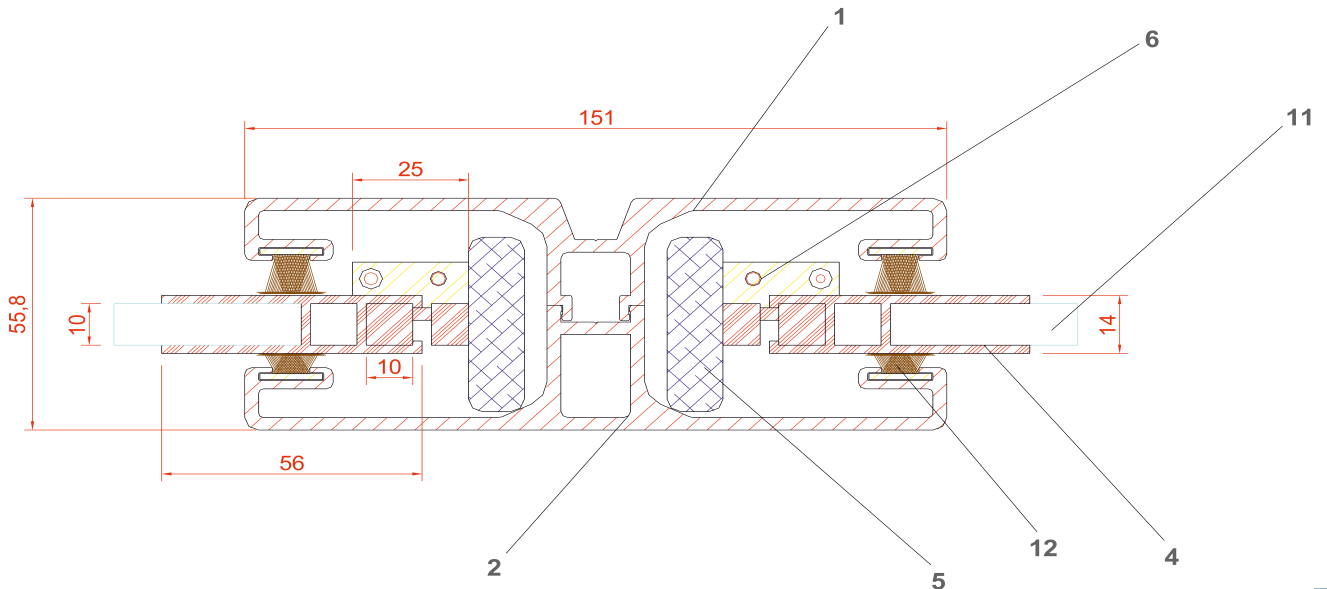
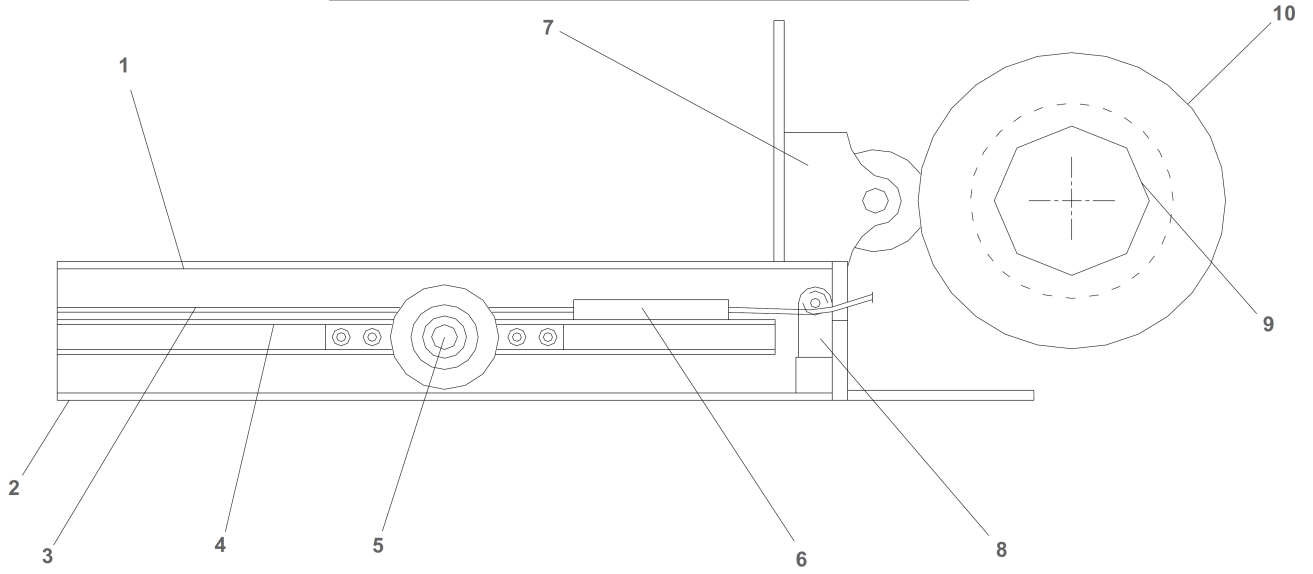
Hareketli Cam Tavan Sistemi

Sliding Glass Roof System

Sistem Detayları
System Details



NO	Code	Weight	Profile Name
1	3172	2312 gr / m	Lower Case Upper Parts
2	3173	2364 gr / m	Lower Case Lower Parts
3	7010	-	Steel Wire
4	3466	743 gr / m	Flat Wing
5	7013	-	Wheel
6	7012	-	Upper Wing Holder Wire
7	7021	-	Stretching Pipe Blocker
8	7014	-	Lower Rear Cover 4Roller
9	7003	-	Motor Pipe
10	7004	-	Pulley
11	-	-	Lamenated Glass 5 + 5
12	7020	-	Pile Weatherstrip



Hareketli Cam Tavan Sistemi

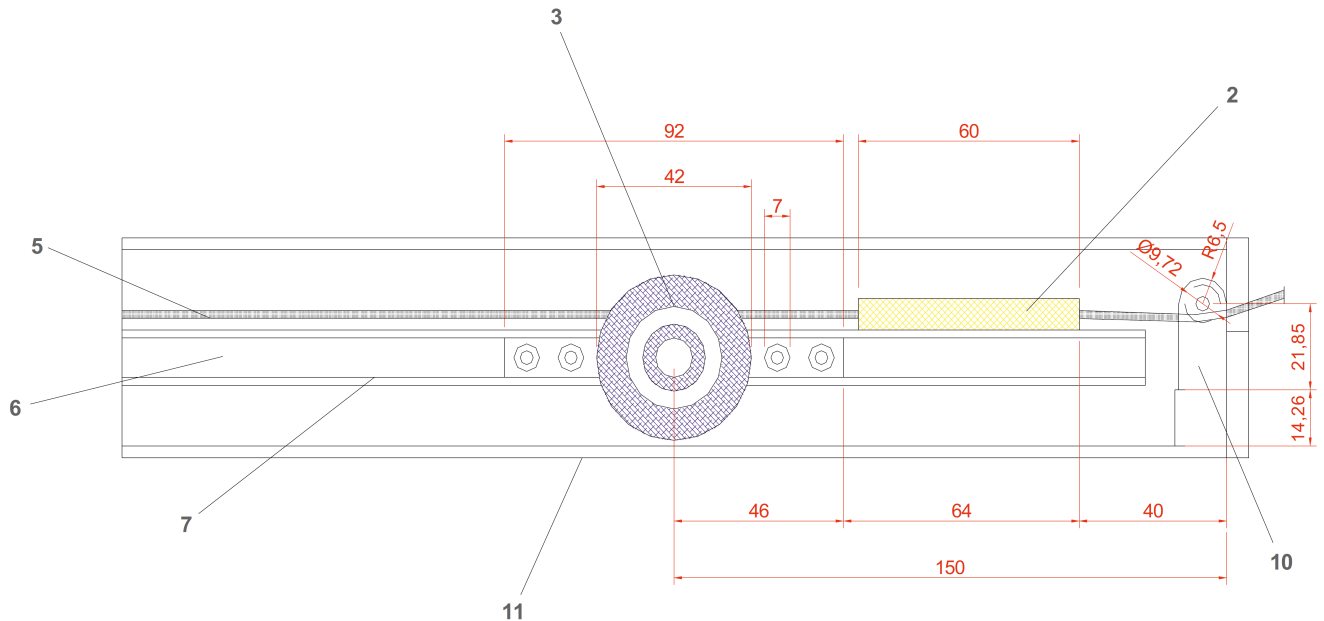
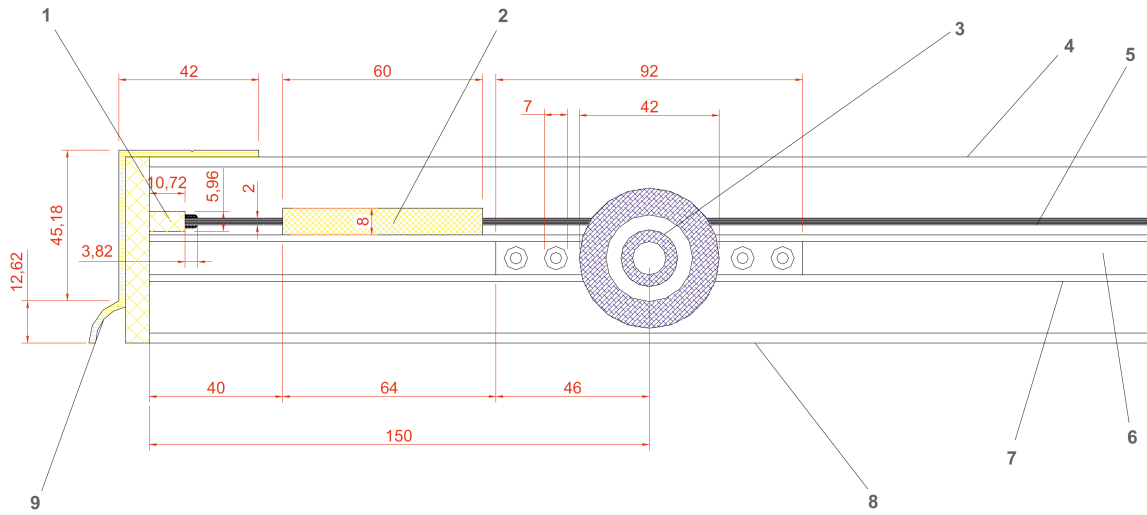
Sliding Glass Roof System

Sistem Detayları

System Details



NO	Code	Weight	Profile Name
1	7015	-	Lower Front Cover (2Rdls)
2	7012	-	Upper Wing Holder Wire
3	7013	-	Wheel
4	3172	2312gr / m	Lower Case Upper Parts
5	7010	-	Steel wire
6	-	-	Laminated Glass 5+5
7	3466	743gr / m	Flat Wing
8	3173	2364gr / m	Lower case Lower Parts



Hareketli Cam Tavan Sistemi

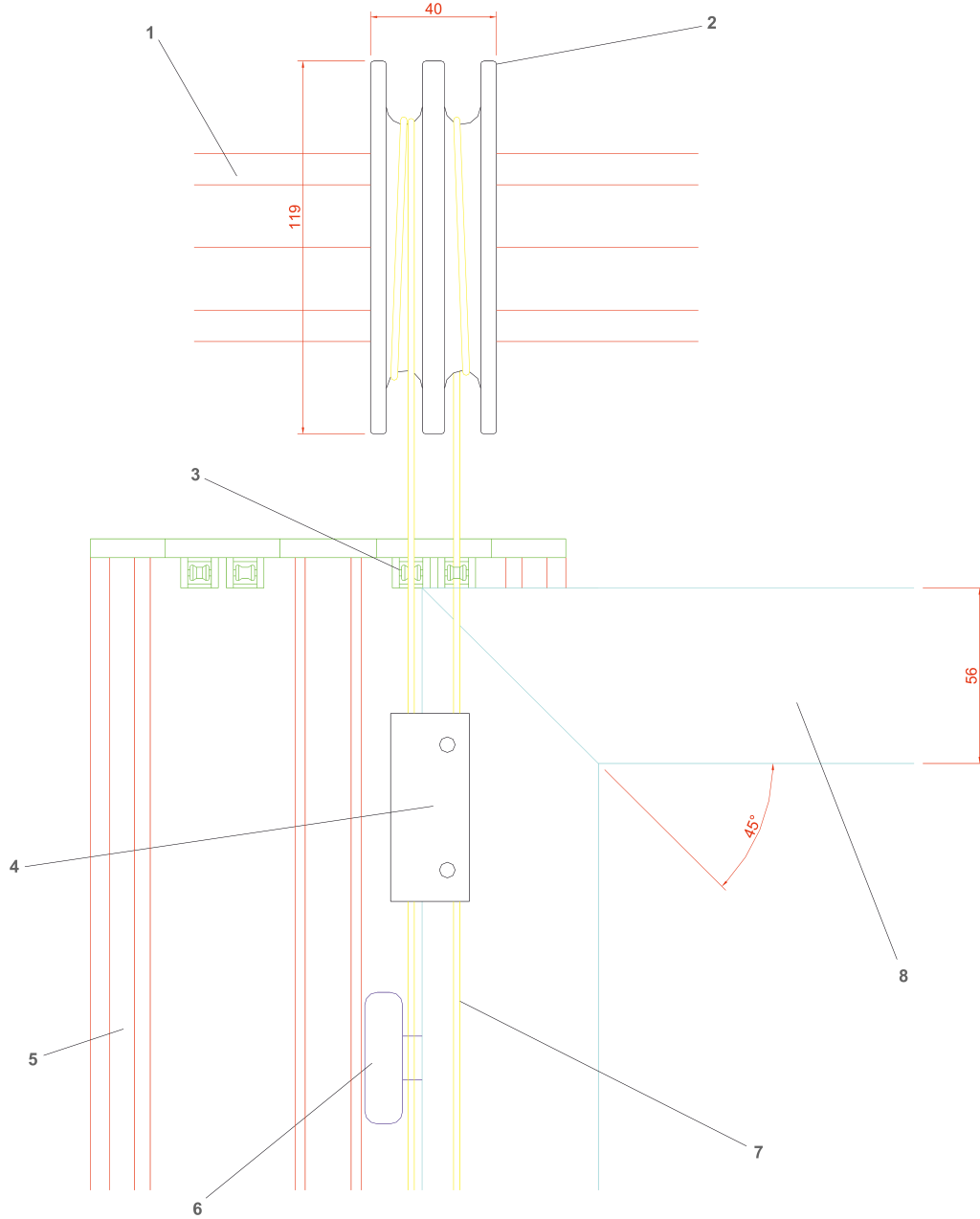
Sliding Glass Roof System

Sistem Detayları

System Details



NO	Code	Weight	Profile Name
1	7003	-	Motor Pipe
2	7004	-	Pulley
3	7014	-	Lower Rear Cover (4 Roller)
4	7012	-	Upper Wing Holder Wire
5	3173	2364 gr / m	Lower Case Lower Parts
6	7013	-	Wheel
7	7010	-	Steel Wire
8	3466	743 gr / m	Flat Wing



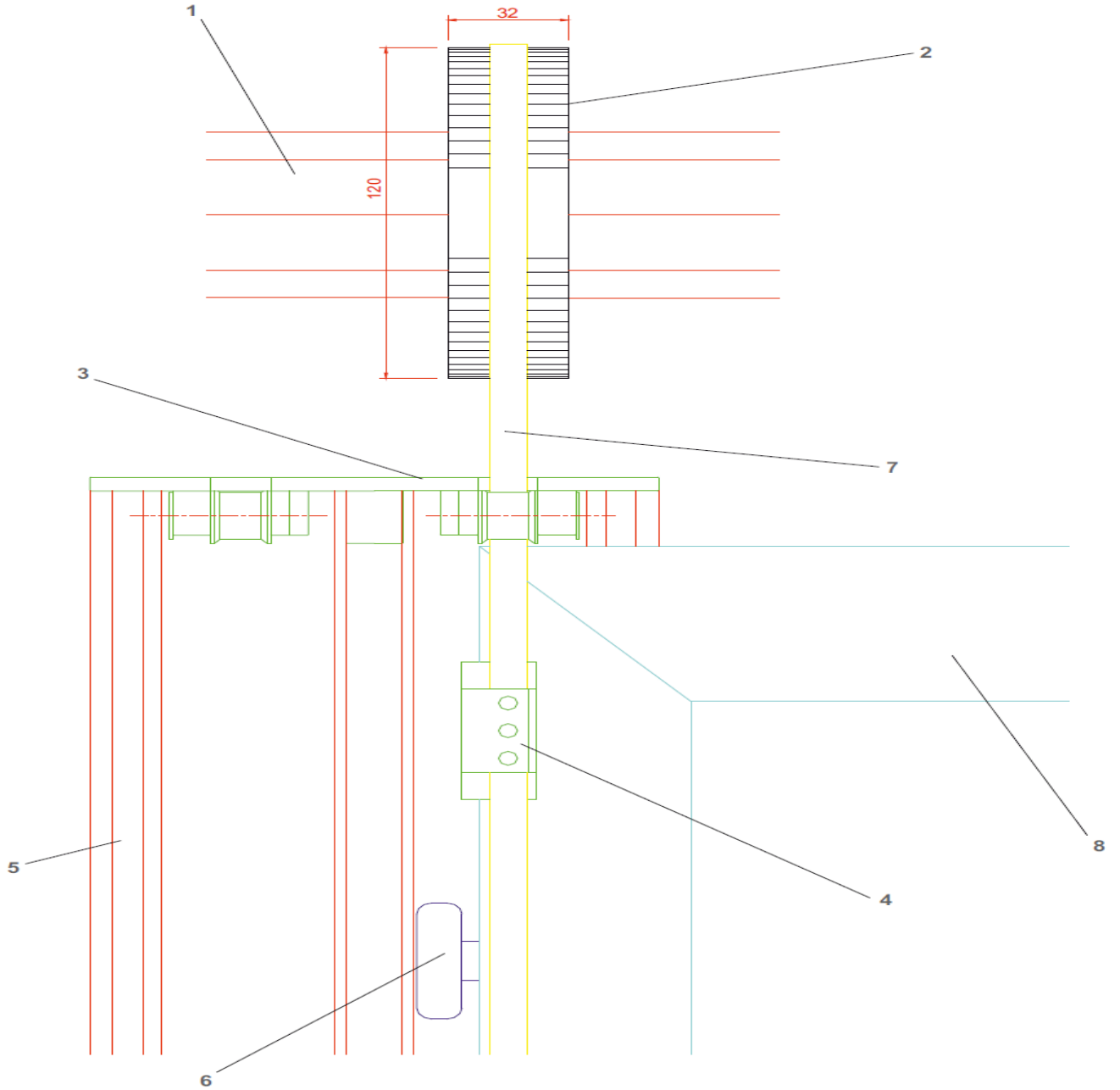
Hareketli Cam Tavan Sistemi

Sliding Glass Roof System

Sistem Detayları
System Details



NO	Code	Weight	Profile Name
1	7003	-	Motor Pipe
2	7201	-	Timing Gear Pulley
3	7203	-	Belt Rear Cover
4	7204	-	Holder Belt
5	3173	2364 gr / m	Lower Case Lower Parts
6	7013	-	Wheel
7	7031	-	Polyurethane Belt
8	3466	743 gr / m	Flat Wing



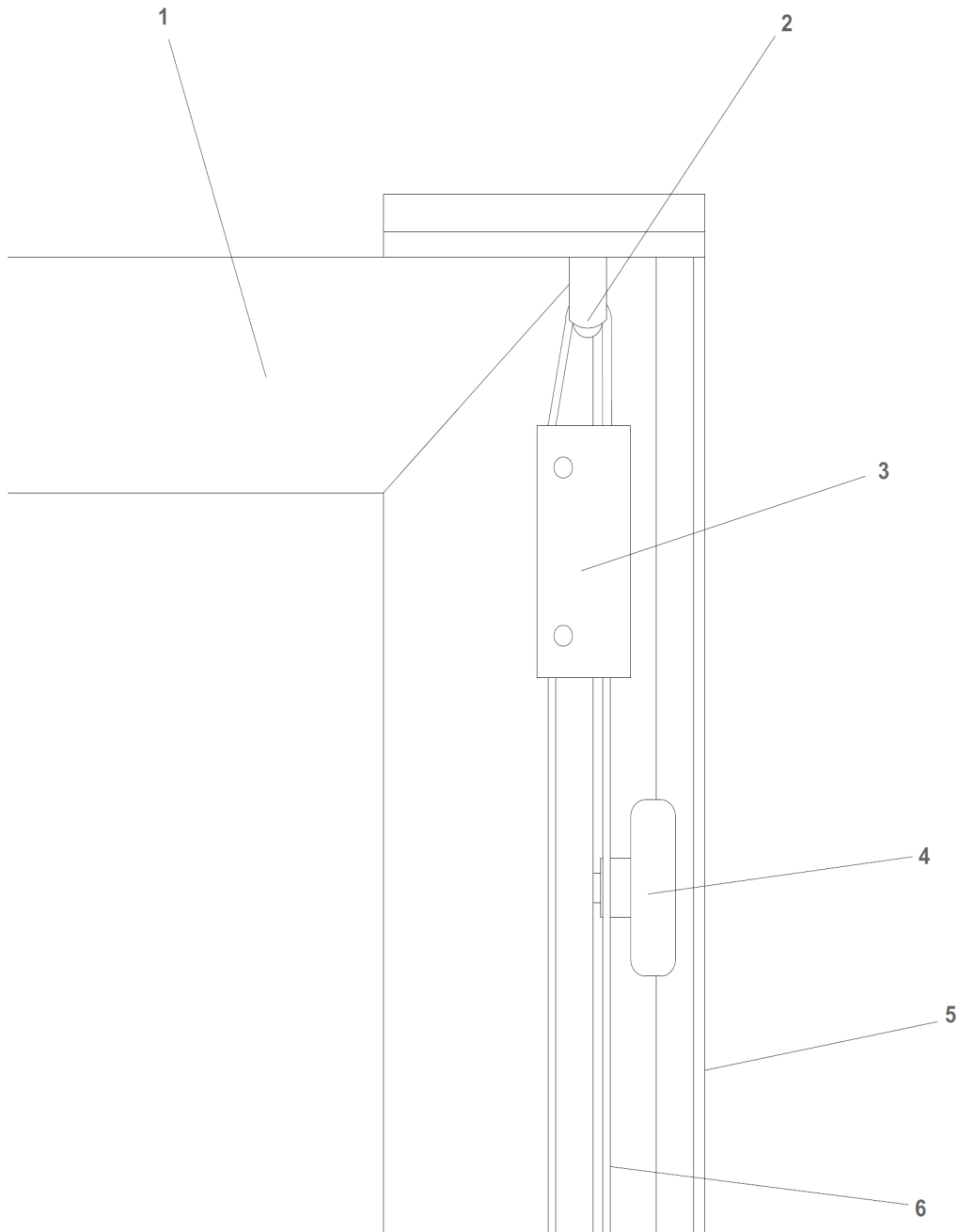
Hareketli Cam Tavan Sistemi

Sliding Glass Roof System

Sistem Detayları
System Details



NO	Code	Weight	Profile Name
1	3466	743 gr / m	Flat Wing
2	7015	-	Lower Front Cover 2Roller
3	7012	-	Upper Case Holder Wire
4	7013	-	Wheel
5	3173	2364 gr / m	Lower Case Lower Parts
6	7010	-	Steel Wire



Hareketli Cam Tavan Sistemi

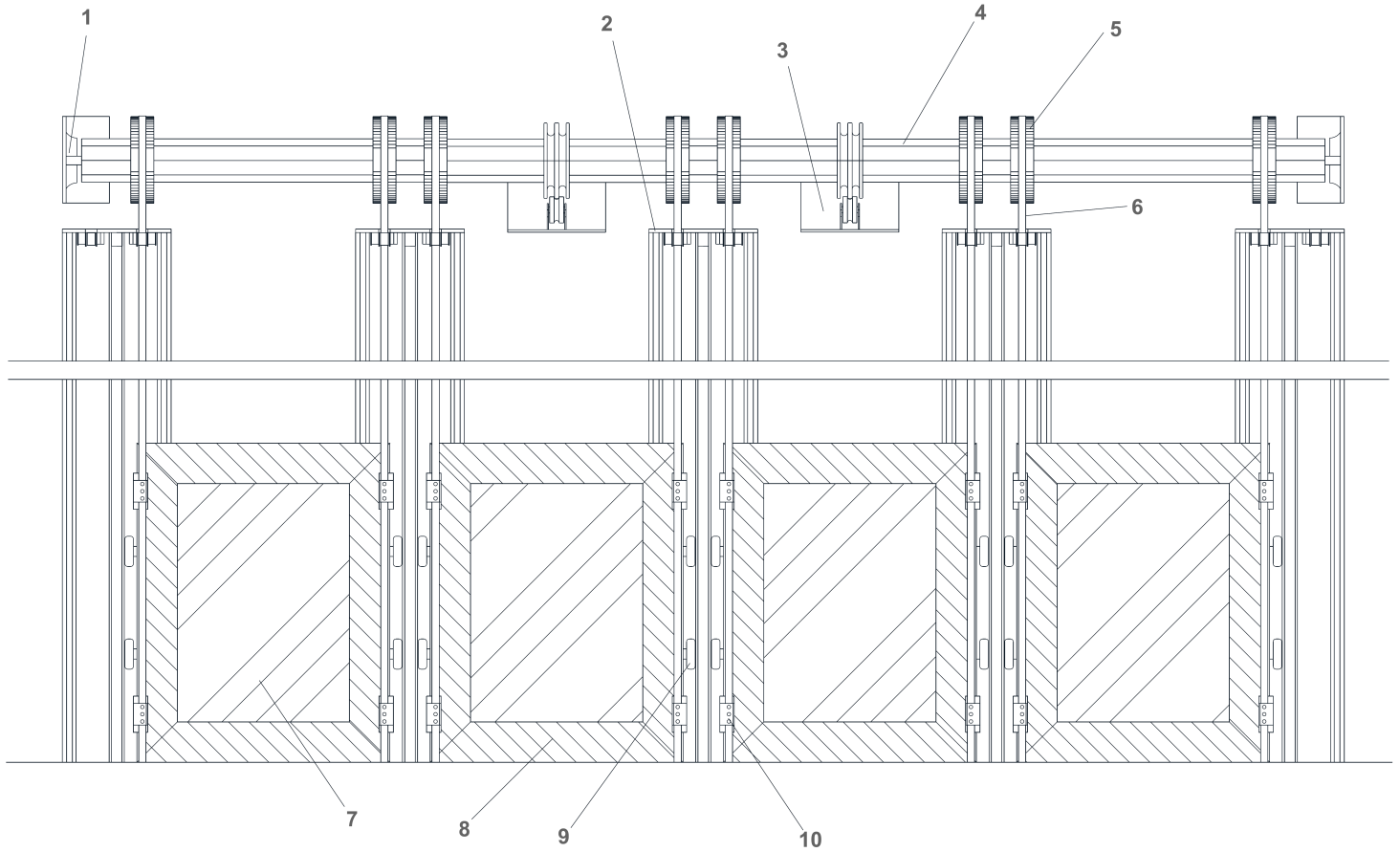
Sliding Glass Roof System

Sistem Detayları

System Details



NO	Code	Weight	Profile Name
1	7001	-	Motor Set
2	7203	-	Belt Rear Cover
3	7021	-	Stretching Pipe Blocker
4	7003	-	Motor Pipe
5	7201	-	Timing Gear Pulley
6	7031	-	Polyurethane Belt
7	-	-	Laminated Glass5+5
8	3466	743 gr / m	Flat wing
9	7013	-	Wheel
10	7204	-	Holder Belt

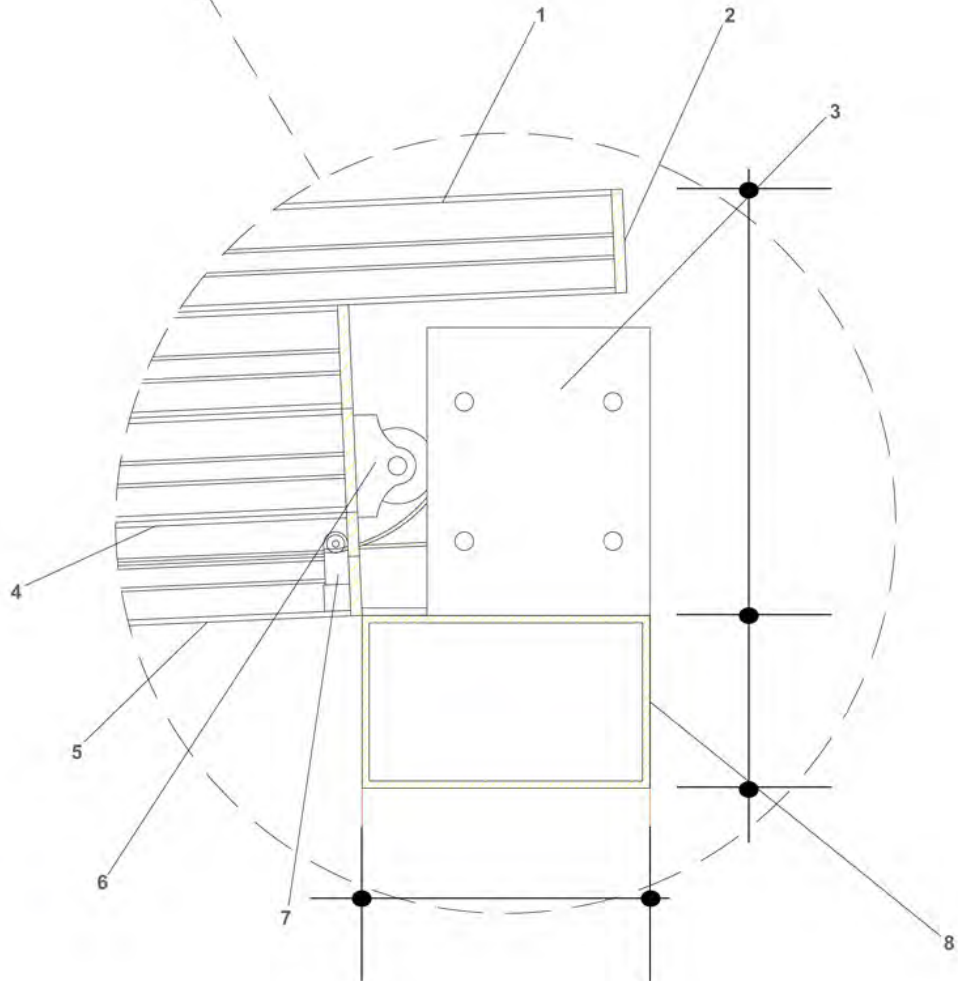
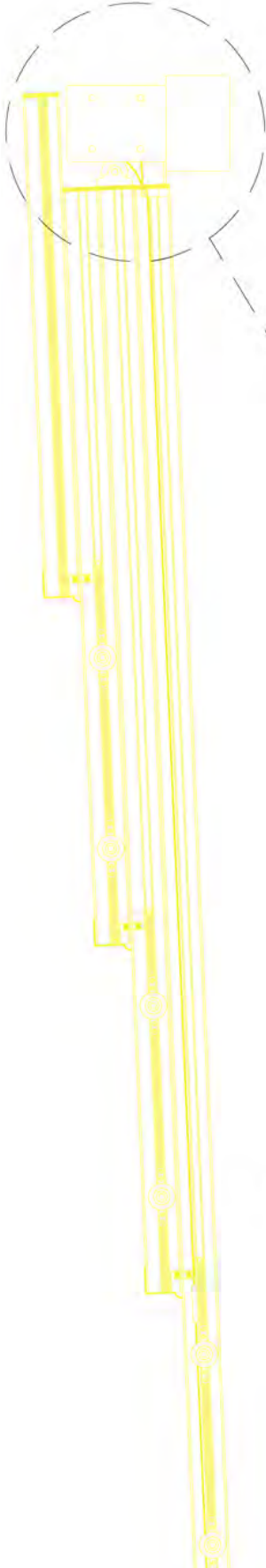


Hareketli Cam Tavan Sistemi Sliding Glass Roof System

Motor Kutusu Detayı Motor Closing Details



NO	KOD	AGIRLIK	ÜRÜN ADI
1	3465	4493 gr / m	BÜTÜN KASA
2	7016	-	PVC ÜST KASA KAPAĞI
3	7001	-	MOTOR TAKIMI
4	3172	2312 gr / m	ALT KASA ÜST PARÇA
5	3173	2364 gr / m	ALT KASA ALT PARÇA
6	7021	-	BORU ESNEME ENGELLEYİCİ
7	7014	-	ALT ARKA KAPAK (4 RULMAN)
8	-	-	100 x 200 cm DEMİR KUTU PROFİLİ



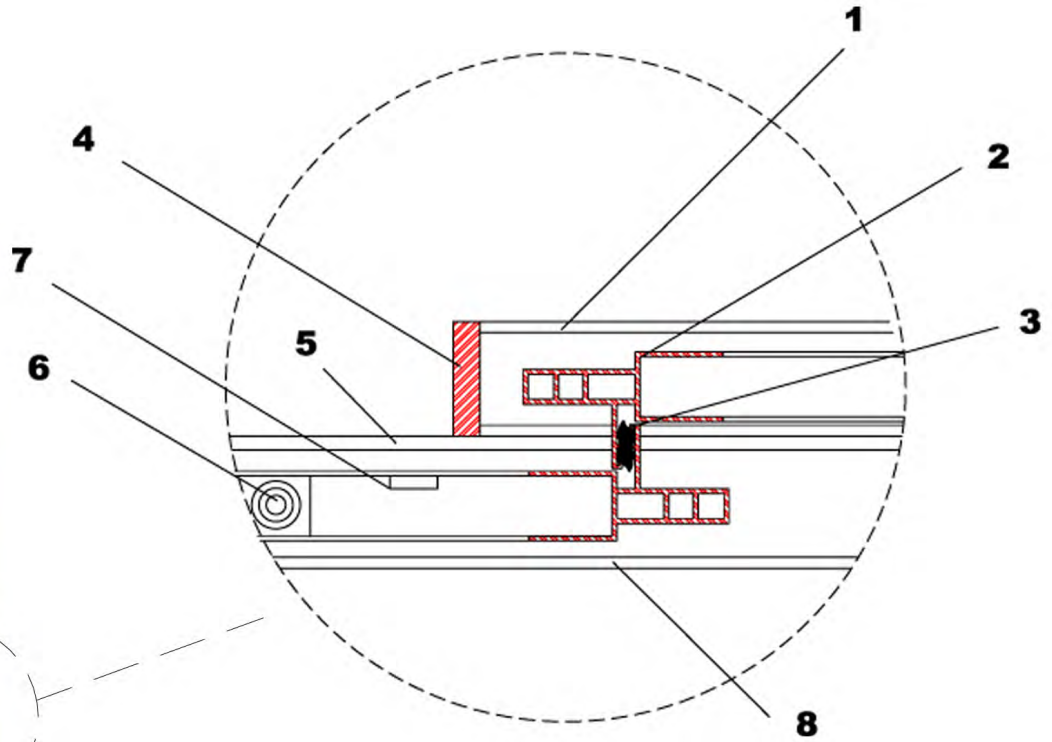
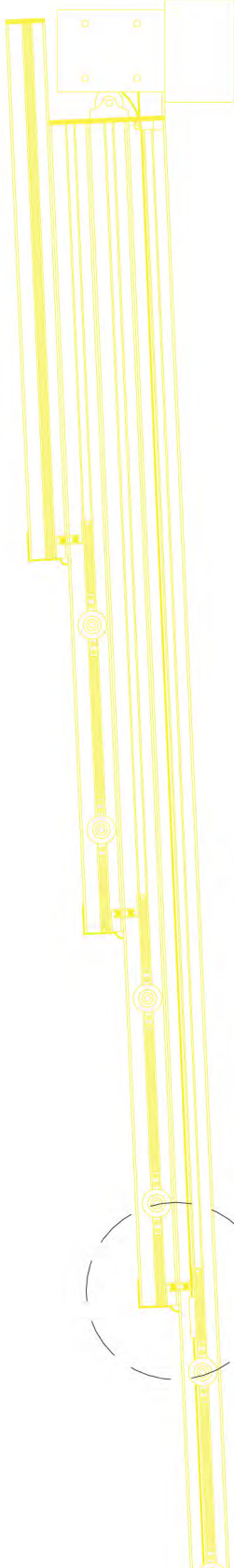
Hareketli Cam Tavan Sistemi Sliding Glass Roof System

Isıcam Detayları

Double Glazed Details



NO	KOD	AGIRLIK	ÜRÜN ADI
1	3465	4493 gr / m	BÜTÜN KASA
2		gr / m	
3	2016	-	10 mm KIL FITİL
4	7015	-	ALT ÖN KAPAK (2 RULMAN)
5	3172	2312 gr / m	ALT KASA ÜST PARÇA
6	7013	-	TEKER
7	7012	-	KANAT ÜSTÜ TEL TUTUCU
8	3173	2364 gr / m	ALT KASA ALT PARÇA



ÖLÇEK 1/2